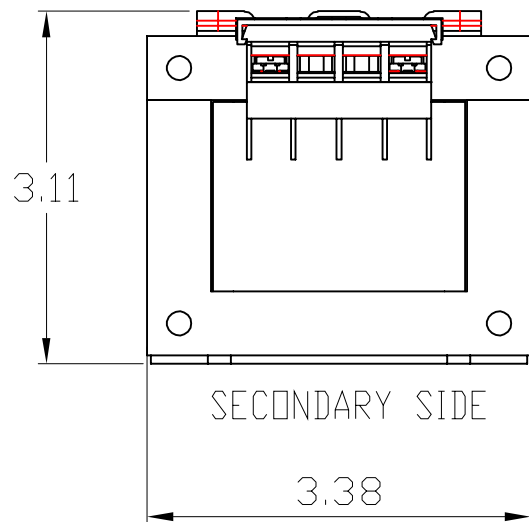
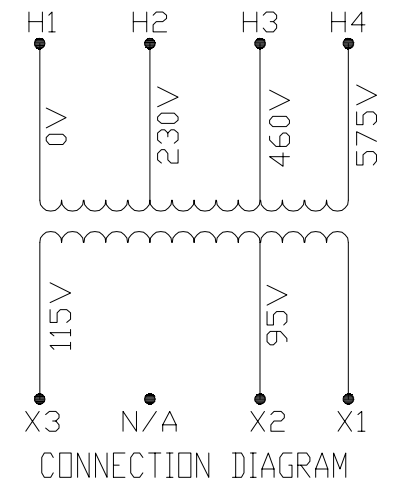
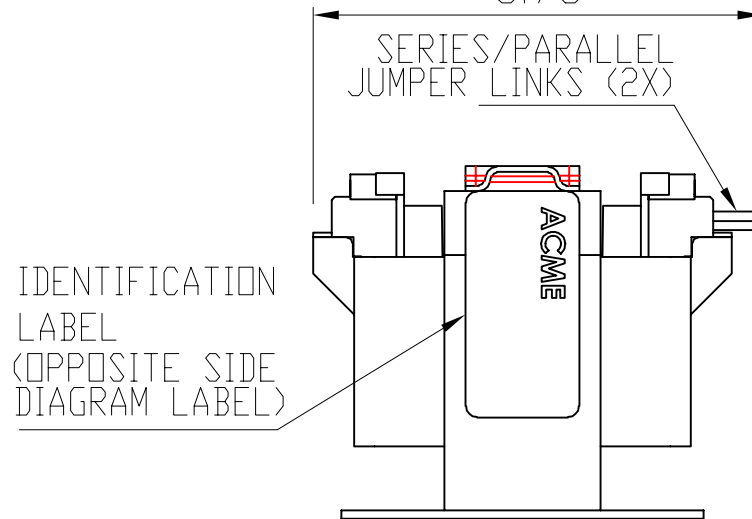



| TRANSFORMER SPECIFICATIONS | |
|----------------------------|-----------------------|
| PRIMARY VOLTAGE(S) | 230/460/575 |
| SECONDARY VOLTAGE(S) | 95/115 |
| RATED V.A. | 100 |
| RATED FREQUENCY | 50/60 |
| INSULATION CLASS | 130°C @ MAX RISE 55°C |
| AGENCY APPROVALS | UL, CUL |
| ESTIMATED WEIGHT | 4.2 LBS |



SECONDARY SIDE 3.78 PRIMARY SIDE



| | | | | | |
|--|-------------|---------|------|--------------|--|
| DIMENSIONS ARE IN INCHES TOLERANCES: .XX ± .03 .XXX ± .010 ANGULAR: ± 1° | DRAWN BY: | VS | DATE | 06/05/2020 |  DESCRIPTION: 100 VA |
| | CHECKED BY: | | | | |
| SOURCE | N/A | | | | PROPRIETARY AND CONFIDENTIAL THE INFORMATION CONTAINED IN THIS DRAWING IS THE SOLE PROPERTY OF ACME ELECTRIC. ANY REPRODUCTION IN PART OR AS A WHOLE WITHOUT THE WRITTEN PERMISSION OF ACME ELECTRIC IS PROHIBITED. |
| MATERIAL | N/A | | | | |
| FINISH | N/A | | | | |
| DO NOT SCALE DRAWING | | | | | SIZE DWG. NO. A CE100N011 |
| | | WEIGHT: | LBS. | SHEET 1 OF 1 | |