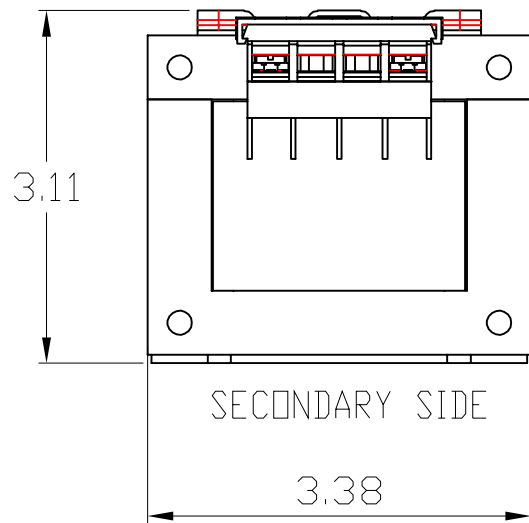
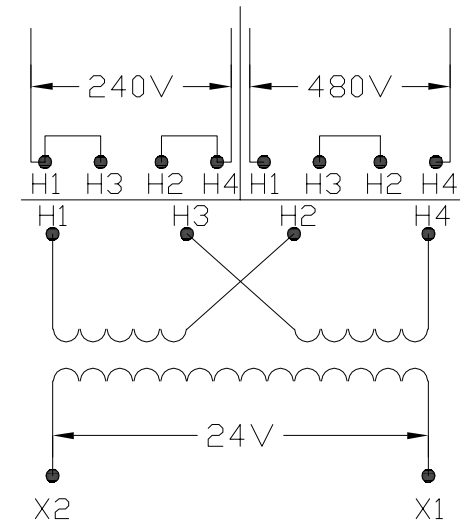
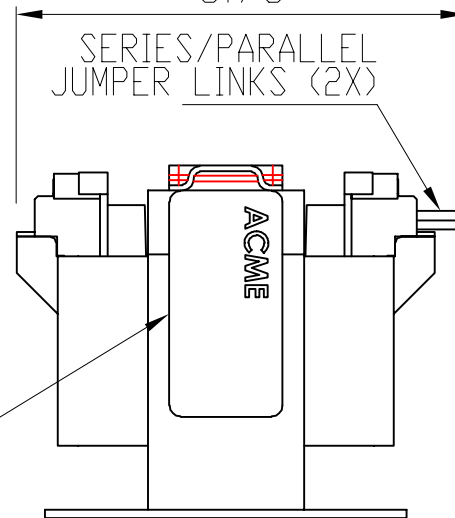



TRANSFORMER SPECIFICATIONS	
PRIMARY VOLTAGE(S)	240x480
SECONDARY VOLTAGE(S)	24
RATED V.A.	100
RATED FREQUENCY	50/60
INSULATION CLASS	130°C @ MAX RISE 55°C
AGENCY APPROVALS	UL, CUL
ESTIMATED WEIGHT	4.2 LBS



SECONDARY SIDE 3.78 PRIMARY SIDE



CONNECTION DIAGRAM

DIMENSIONS ARE IN INCHES TOLERANCES: .XX ± .03 .XXX ± .010 ANGULAR: ± 1°	DRAWN BY:	NAME	DATE	 DESCRIPTION: 100 VA
	CHECKED BY:	VS	06/05/2020	
SOURCE	N/A	PROPRIETARY AND CONFIDENTIAL		SIZE DWG. NO. A CE100N013
MATERIAL	N/A	THE INFORMATION CONTAINED IN THIS DRAWING IS THE SOLE PROPERTY OF ACME ELECTRIC. ANY REPRODUCTION IN PART OR AS A WHOLE WITHOUT THE WRITTEN PERMISSION OF ACME ELECTRIC IS PROHIBITED.		
FINISH	N/A	DO NOT SCALE DRAWING		WEIGHT: LBS. SHEET 1 OF 1