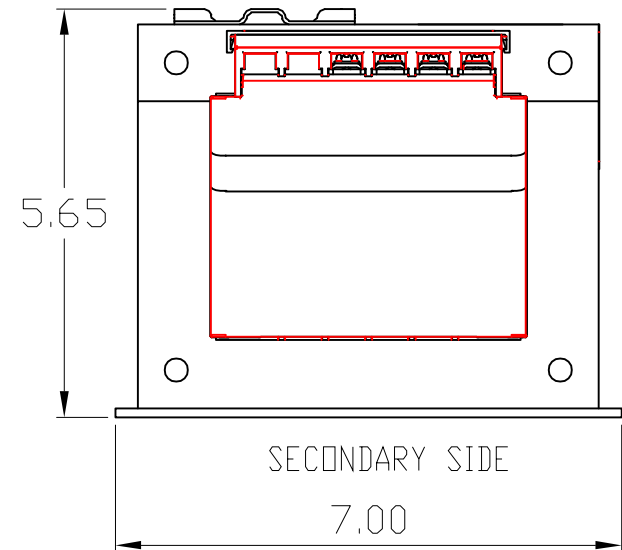


.31X1.1 SLOT (4X)

DIAGRAM LABEL

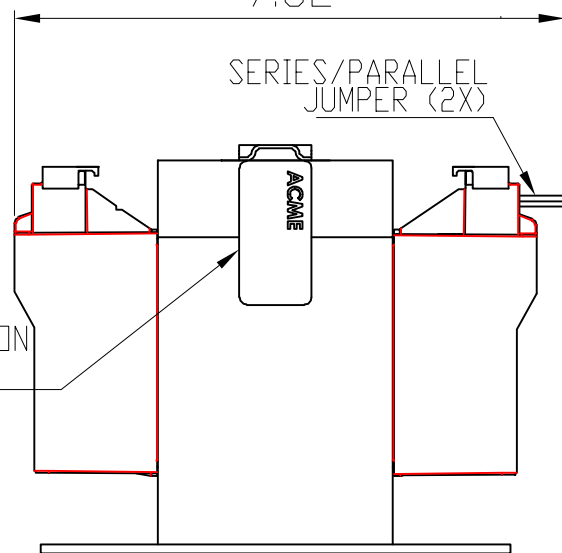
TERMINAL SCREWS ARE COMBINATION 8-32 PHIL-SLOT WITH SEMS WASHER



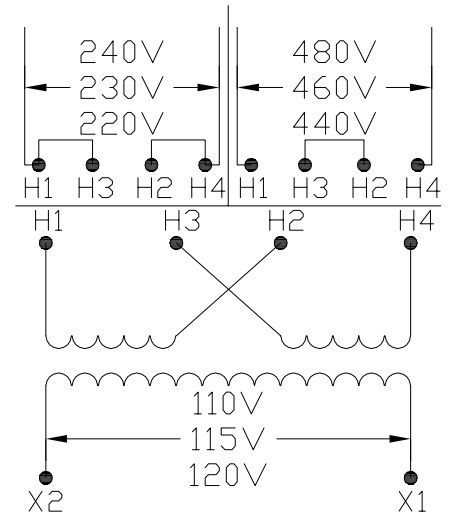
IDENTIFICATION LABEL

TRANSFORMER SPECIFICATIONS	
PRIMARY VOLTAGE(S)	230x460
SECONDARY VOLTAGE(S)	115
RATED V.A.	1500
RATED FREQUENCY	50/60
INSULATION CLASS	180°C @ MAX RISE 115°C
AGENCY APPROVALS	UL, CUL
ESTIMATED WEIGHT	30 LBS

SECONDARY SIDE 7.62 PRIMARY SIDE



SERIES/PARALLEL JUMPER (2X)



CONNECTION DIAGRAM

DIMENSIONS ARE IN INCHES

TOLERANCES:
 .XX ± .03
 .XXX ± .010
 ANGULAR: ± 1°

SOURCE N/A
 MATERIAL N/A
 FINISH N/A

DO NOT SCALE DRAWING

NAME DATE
 DRAWN BY: VS 06/05/2020
 CHECKED BY:

PROPRIETARY AND CONFIDENTIAL
 THE INFORMATION CONTAINED IN THIS DRAWING IS THE SOLE PROPERTY OF ACME ELECTRIC. ANY REPRODUCTION IN PART OR AS A WHOLE WITHOUT THE WRITTEN PERMISSION OF ACME ELECTRIC IS PROHIBITED.



DESCRIPTION:
 1500 VA
 SIZE DWG. NO. A CE1500N008
 WEIGHT: LBS. SHEET 1 OF 1