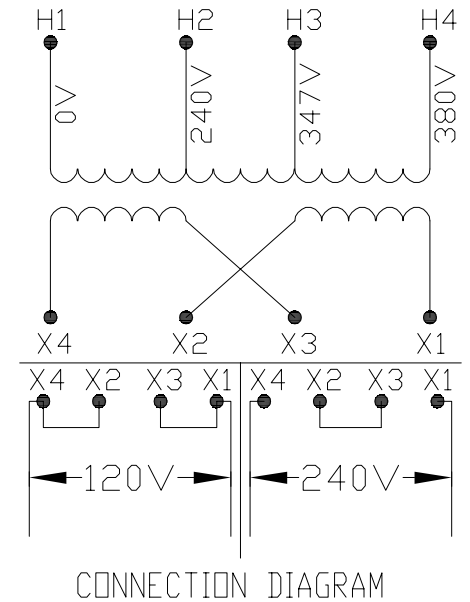
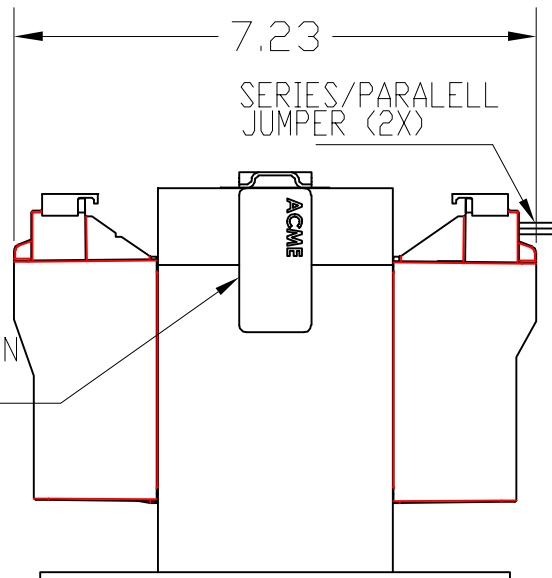


TRANSFORMER SPECIFICATIONS	
PRIMARY VOLTAGE(S)	240/347/380
SECONDARY VOLTAGE(S)	120x240
RATED V.A.	1500
RATED FREQUENCY	50/60
INSULATION CLASS	180°C @ MAX RISE 115°C
AGENCY APPROVALS	UL, CUL
ESTIMATED WEIGHT	30 LBS

SECONDARY SIDE

PRIMARY SIDE



DIMENSIONS ARE IN INCHES

TOLERANCES:

.XX ± .03

.XXX ± .010

ANGULAR: ± 1°

SOURCE

N/A

MATERIAL

N/A

FINISH

N/A

DO NOT SCALE DRAWING

NAME	DATE
DRAWN BY: VS	06/05/2020
CHECKED BY:	

PROPRIETARY AND CONFIDENTIAL
THE INFORMATION CONTAINED IN THIS DRAWING IS THE SOLE PROPERTY OF ACME ELECTRIC. ANY REPRODUCTION IN PART OR AS A WHOLE WITHOUT THE WRITTEN PERMISSION OF ACME ELECTRIC IS PROHIBITED.



DESCRIPTION:

1500 VA

SIZE DWG. NO.

A CE1500N012

WEIGHT:

LBS.

SHEET 1 OF 1