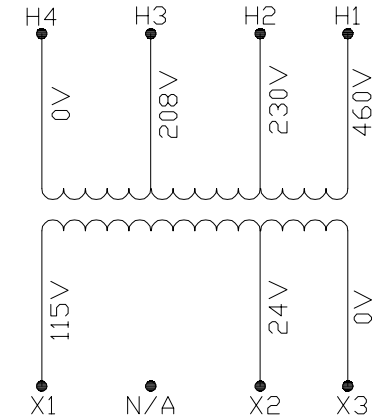
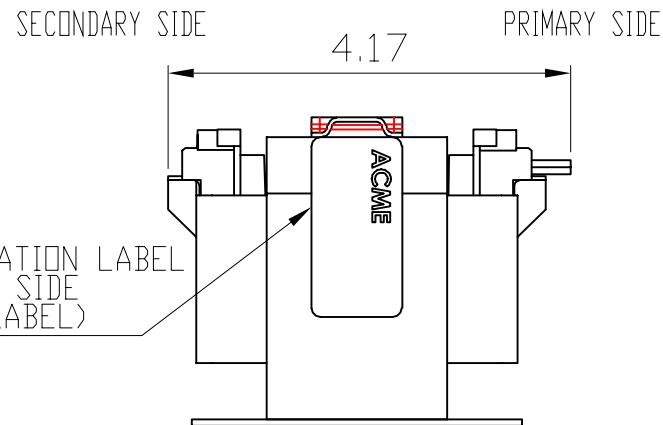
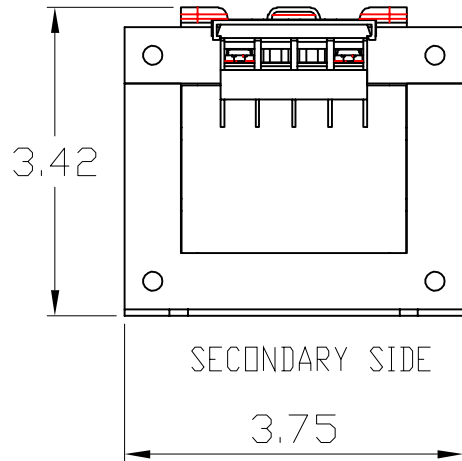



TRANSFORMER SPECIFICATIONS	
PRIMARY VOLTAGE(S)	208/230/460
SECONDARY VOLTAGE(S)	24/115
RATED V.A.	150
RATED FREQUENCY	50/60
INSULATION CLASS	130°C @ MAX RISE 80°C
AGENCY APPROVALS	UL, CUL
ESTIMATED WEIGHT	6.7 LBS



CONNECTION DIAGRAM

DIMENSIONS ARE IN INCHES TOLERANCES: .XX ± .03 .XXX ± .010 ANGULAR: ± 1°	DRAWN BY:	VS	DATE	06/03/2020
	CHECKED BY:			
SOURCE	N/A	PROPRIETARY AND CONFIDENTIAL THE INFORMATION CONTAINED IN THIS DRAWING IS THE SOLE PROPERTY OF ACME ELECTRIC. ANY REPRODUCTION IN PART OR AS A WHOLE WITHOUT THE WRITTEN PERMISSION OF ACME ELECTRIC IS PROHIBITED.		
MATERIAL	N/A			
FINISH	N/A			
DO NOT SCALE DRAWING				
 <b>Acme Electric</b>				
DESCRIPTION:				
150 VA				
SIZE	DWG. NO.	CE150N004		
WEIGHT:		LBS.	SHEET 1 OF 1	