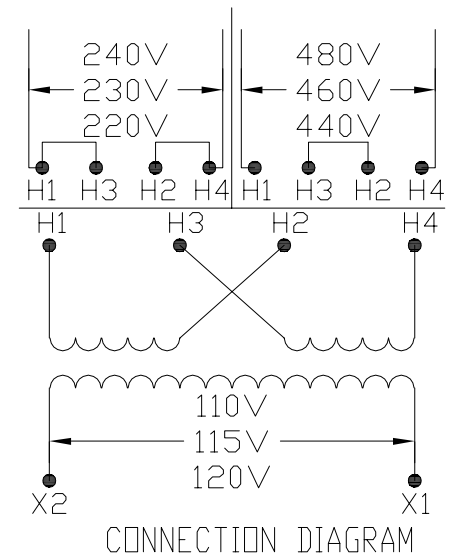
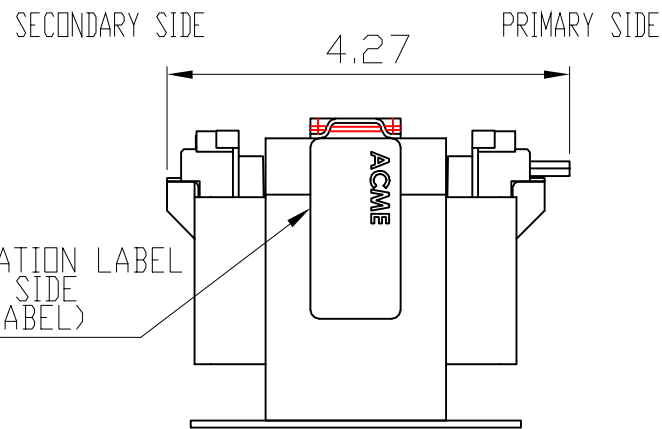
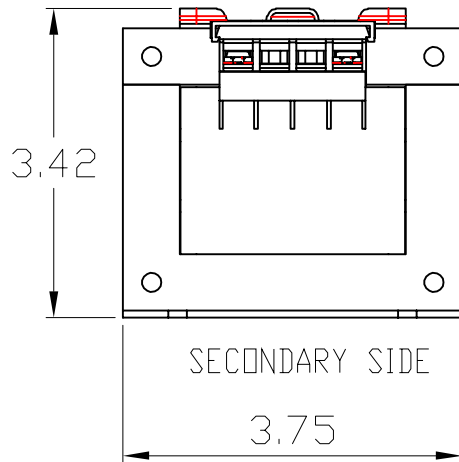
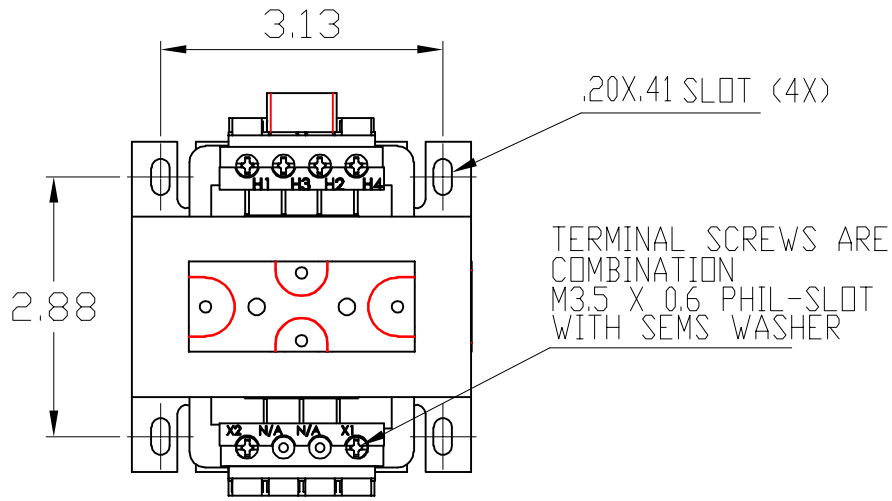



TRANSFORMER SPECIFICATIONS	
PRIMARY VOLTAGE(S)	230x460
SECONDARY VOLTAGE(S)	115
RATED V.A.	150
RATED FREQUENCY	50/60
INSULATION CLASS	130°C @ MAX RISE 80°C
AGENCY APPROVALS	UL, CUL
ESTIMATED WEIGHT	6.7 LBS



DIMENSIONS ARE IN INCHES TOLERANCES: .XX ± .03 .XXX ± .010 ANGULAR: ± 1°	DRAWN BY:	VS	DATE	06/05/2020	 Acme Electric
	CHECKED BY:				
SOURCE	N/A	PROPRIETARY AND CONFIDENTIAL		150 VA	
MATERIAL	N/A	THE INFORMATION CONTAINED IN THIS DRAWING IS THE SOLE PROPERTY OF ACME ELECTRIC. ANY REPRODUCTION IN PART OR AS A WHOLE WITHOUT THE WRITTEN PERMISSION OF ACME ELECTRIC IS PROHIBITED.			
FINISH	N/A			SIZE DWG. NO.	A CE150N008
DO NOT SCALE DRAWING				WEIGHT:	LBS.
					SHEET 1 OF 1