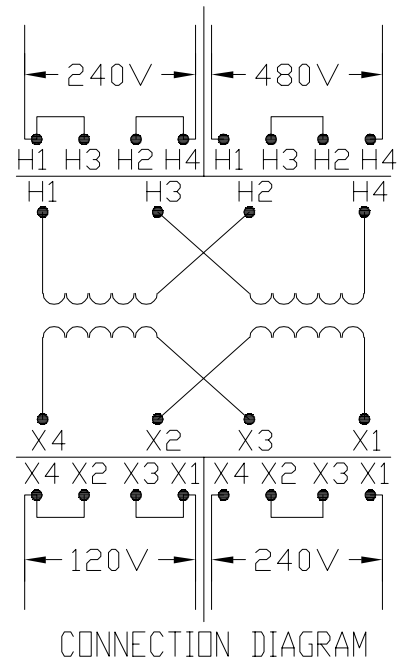
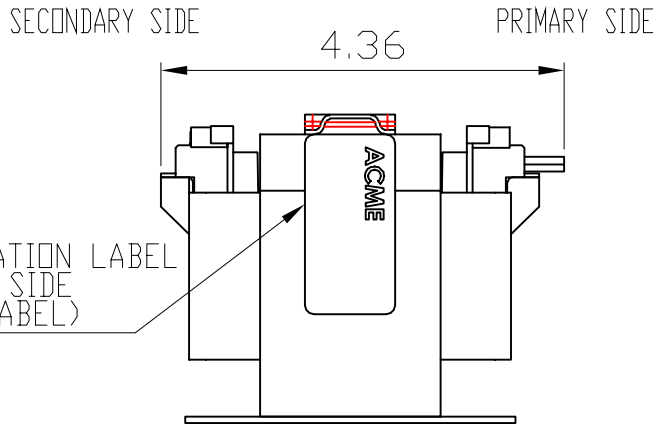
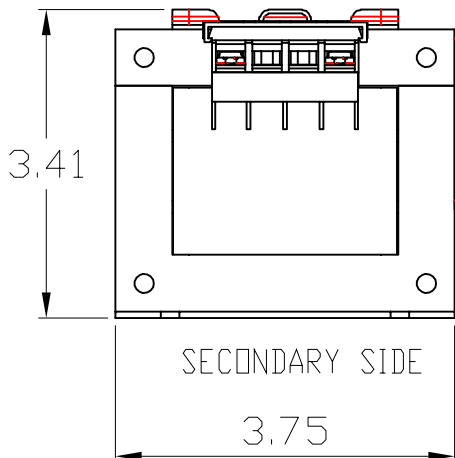
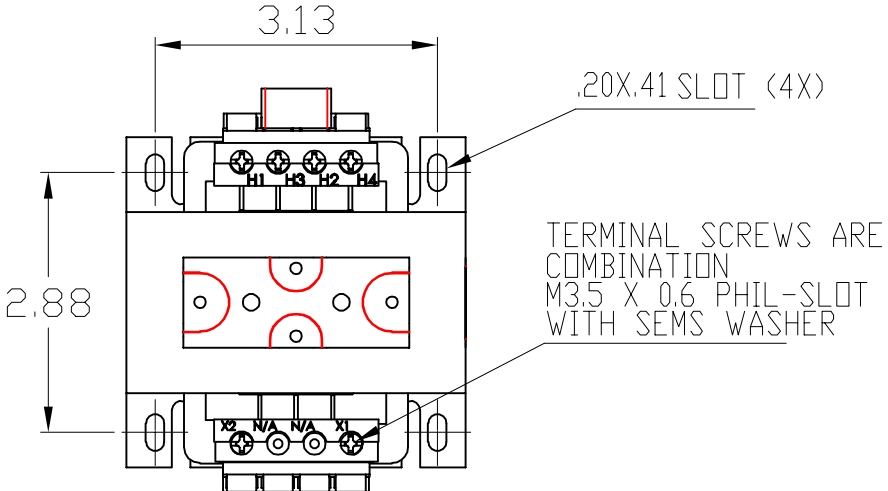



TRANSFORMER SPECIFICATIONS

PRIMARY VOLTAGE(S)	240x480
SECONDARY VOLTAGE(S)	120x240
RATED V.A.	150
RATED FREQUENCY	50/60
INSULATION CLASS	130°C @ MAX RISE 80°C
AGENCY APPROVALS	UL, CUL
ESTIMATED WEIGHT	6.7 LBS



DIMENSIONS ARE IN INCHES TOLERANCES: .XX ± .03 .XXX ± .010 ANGULAR: ± 1°	DRAWN BY: VS	NAME: VS	DATE: 06/08/2020	
	CHECKED BY:	DESCRIPTION:	150 VA	
SOURCE: N/A	PROPRIETARY AND CONFIDENTIAL THE INFORMATION CONTAINED IN THIS DRAWING IS THE SOLE PROPERTY OF ACME ELECTRIC. ANY REPRODUCTION IN PART OR AS A WHOLE WITHOUT THE WRITTEN PERMISSION OF ACME ELECTRIC IS PROHIBITED.			SIZE DWG. NO.
MATERIAL: N/A				A CE150N014
FINISH: N/A				WEIGHT: LBS.
DO NOT SCALE DRAWING				