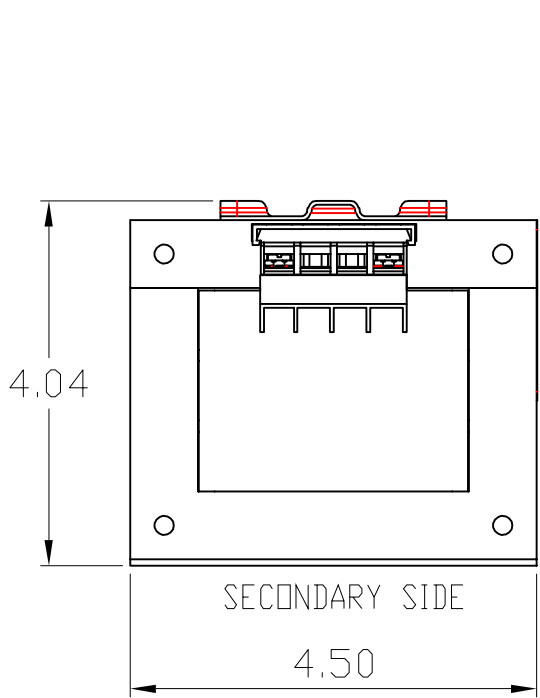
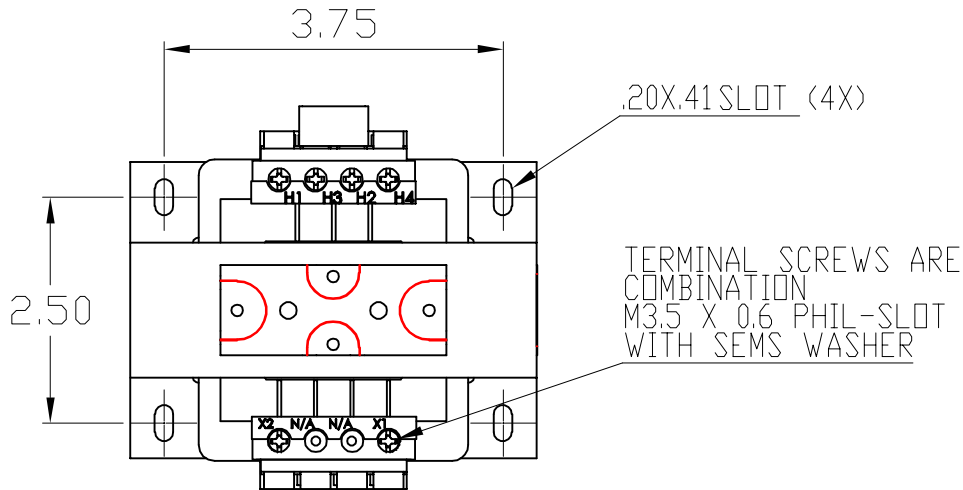
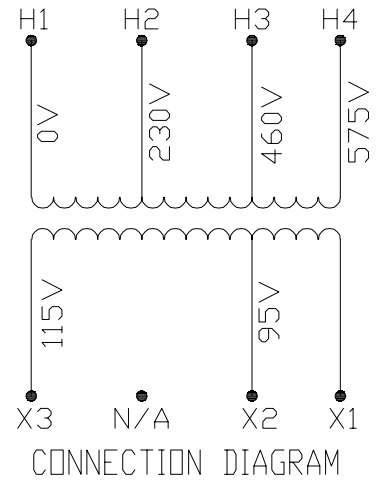
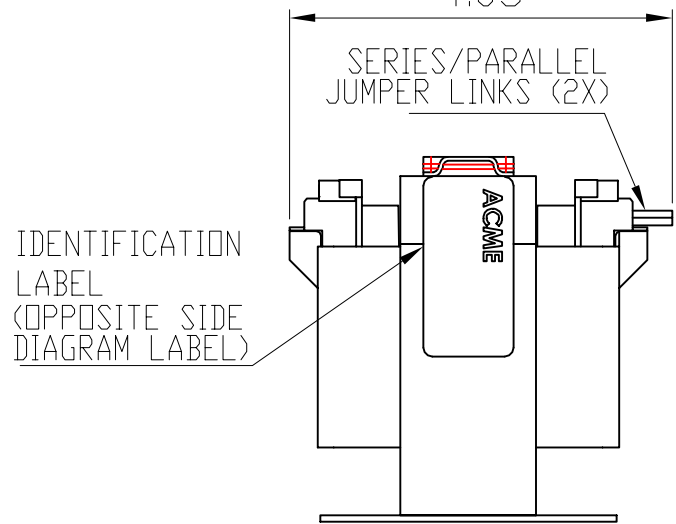


TRANSFORMER SPECIFICATIONS

PRIMARY VOLTAGE(S)	230/460/575
SECONDARY VOLTAGE(S)	95/115
RATED V.A.	200
RATED FREQUENCY	50/60
INSULATION CLASS	130°C @ MAX RISE 80°C
AGENCY APPROVALS	UL, CUL
ESTIMATED WEIGHT	8.5 LBS



SECONDARY SIDE 4.05 PRIMARY SIDE



DIMENSIONS ARE IN INCHES TOLERANCES: .XX ± .03 .XXX ± .010 ANGULAR: ± 1°	DRAWN BY:	VS	DATE	06/05/2020
	CHECKED BY:			
SOURCE	N/A			
MATERIAL	N/A			
FINISH	N/A			
DO NOT SCALE DRAWING	PROPRIETARY AND CONFIDENTIAL THE INFORMATION CONTAINED IN THIS DRAWING IS THE SOLE PROPERTY OF ACME ELECTRIC. ANY REPRODUCTION IN PART OR AS A WHOLE WITHOUT THE WRITTEN PERMISSION OF ACME ELECTRIC IS PROHIBITED.			
DESCRIPTION: 200 VA		SIZE	DWG. NO.	
		A	CE200N011	
WEIGHT:		LBS.	SHEET 1 OF 1	

