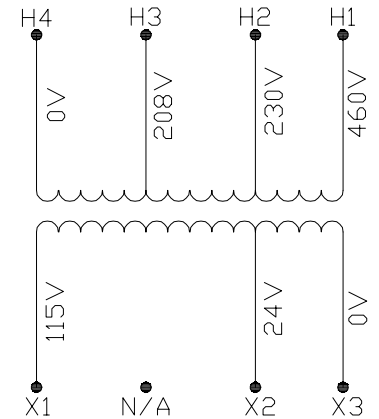
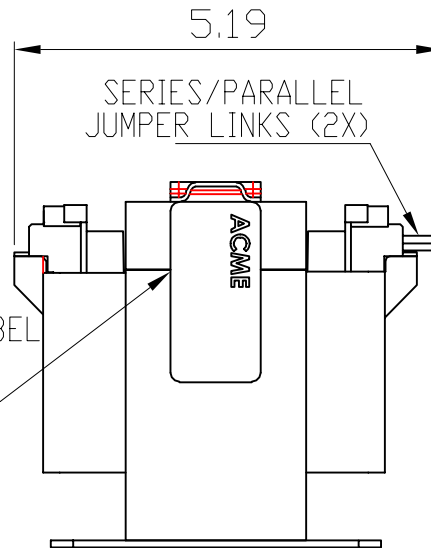
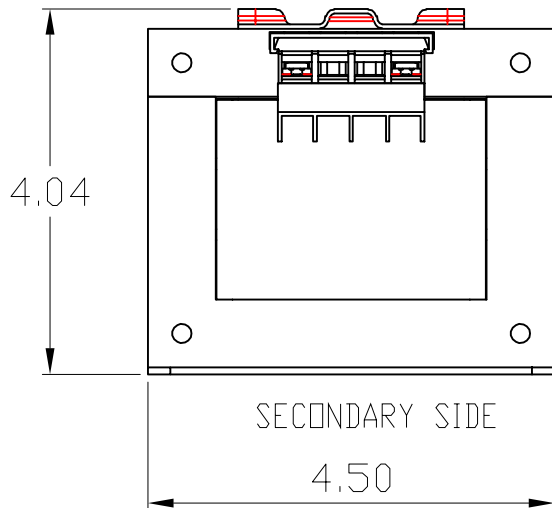


TRANSFORMER SPECIFICATIONS	
PRIMARY VOLTAGE(S)	208/230/460
SECONDARY VOLTAGE(S)	24/115
RATED V.A.	250
RATED FREQUENCY	50/60
INSULATION CLASS	130°C @ MAX RISE 80°C
AGENCY APPROVALS	UL, CUL
ESTIMATED WEIGHT	13.6 LBS

SECONDARY SIDE PRIMARY SIDE



CONNECTION DIAGRAM

DIMENSIONS ARE IN INCHES TOLERANCES: .XX ± .03 .XXX ± .010 ANGULAR: ± 1°	DRAWN BY:	VS	DATE	06/03/2020
	CHECKED BY:			
	SOURCE	N/A		
MATERIAL	N/A			PROPRIETARY AND CONFIDENTIAL THE INFORMATION CONTAINED IN THIS DRAWING IS THE SOLE PROPERTY OF ACME ELECTRIC. ANY REPRODUCTION IN PART OR AS A WHOLE WITHOUT THE WRITTEN PERMISSION OF ACME ELECTRIC IS PROHIBITED.
FINISH	N/A			
DO NOT SCALE DRAWING				
DESCRIPTION:		250 VA		
SIZE	DWG. NO.	A CE250N004		
WEIGHT:	LBS.	SHEET 1 OF 1		

