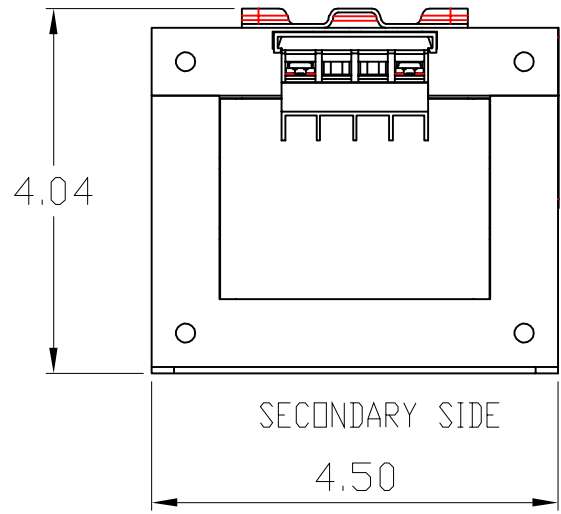
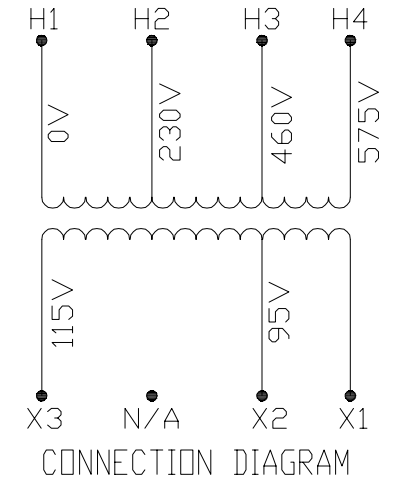
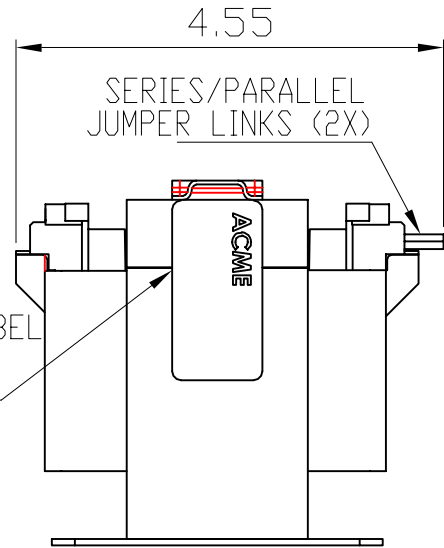


| TRANSFORMER SPECIFICATIONS |                       |
|----------------------------|-----------------------|
| PRIMARY VOLTAGE(S)         | 230/460/575           |
| SECONDARY VOLTAGE(S)       | 95/115                |
| RATED V.A.                 | 250                   |
| RATED FREQUENCY            | 50/60                 |
| INSULATION CLASS           | 130°C @ MAX RISE 80°C |
| AGENCY APPROVALS           | UL, CUL               |
| ESTIMATED WEIGHT           | 10 LBS                |



SECONDARY SIDE      PRIMARY SIDE



|  |  |             |      |              |
|--|--|-------------|------|--------------|
| DIMENSIONS ARE IN INCHES<br>TOLERANCES:<br>.XX ± .03<br>.XXX ± .010<br>ANGULAR: ± 1° | DRAWN BY:  | VS          | DATE | 06/05/2020   |
|  | CHECKED BY:  |             |      |              |
| SOURCE   | N/A  |             |      |              |
| MATERIAL   | N/A  |             |      |              |
| FINISH   | N/A  |             |      |              |
| DO NOT SCALE DRAWING   | PROPRIETARY AND CONFIDENTIAL<br>THE INFORMATION CONTAINED IN THIS DRAWING IS THE SOLE PROPERTY OF ACME ELECTRIC. ANY REPRODUCTION IN PART OR AS A WHOLE WITHOUT THE WRITTEN PERMISSION OF ACME ELECTRIC IS PROHIBITED. |             |      |              |
|  |  |             |      | DESCRIPTION: |
|  |  |             |      | 250 VA       |
| SIZE   | DWG. NO.   | A CE250N011 |      |              |
|  |  | WEIGHT:     | LBS. | SHEET 1 OF 1 |