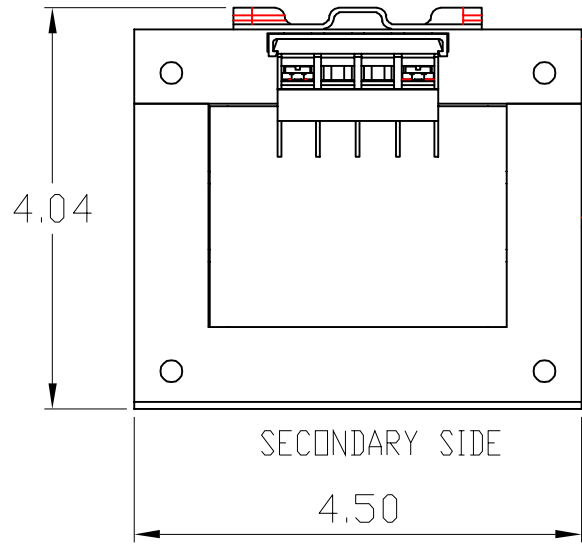


.20X.41 SLOT (4X)

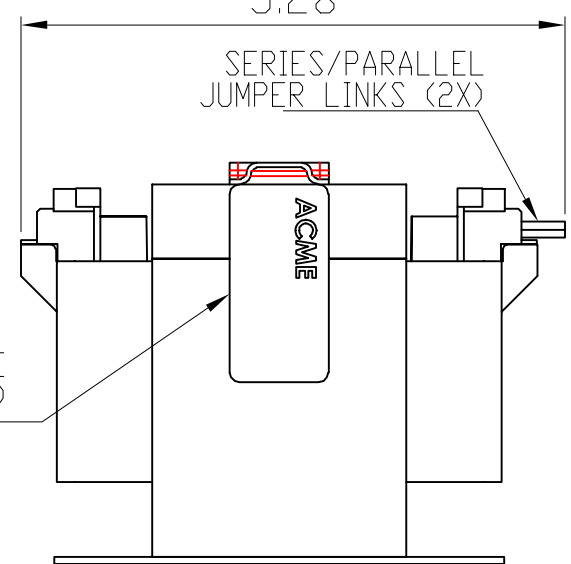
TERMINAL SCREWS ARE COMBINATION M3.5 X 0.6 PHIL-SLOT WITH SEMS WASHER



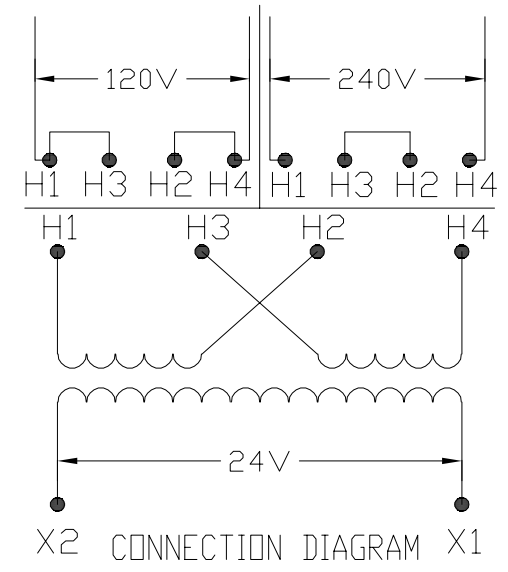
IDENTIFICATION LABEL (OPPOSITE SIDE DIAGRAM LABEL)

TRANSFORMER SPECIFICATIONS	
PRIMARY VOLTAGE(S)	120x240
SECONDARY VOLTAGE(S)	24
RATED V.A.	350
RATED FREQUENCY	50/60
INSULATION CLASS	130°C @ MAX RISE 80°C
AGENCY APPROVALS	UL, CUL
ESTIMATED WEIGHT	13.6 LBS


SECONDARY SIDE 5.28 PRIMARY SIDE



SERIES/PARALLEL JUMPER LINKS (2X)



X2 CONNECTION DIAGRAM X1

DIMENSIONS ARE IN INCHES TOLERANCES: .XX ± .03 .XXX ± .010 ANGULAR: ± 1°	NAME: VS DATE: 06/03/2020	 DESCRIPTION: 350 VA
	DRAWN BY: VS CHECKED BY:	
SOURCE: N/A MATERIAL: N/A FINISH: N/A	PROPRIETARY AND CONFIDENTIAL THE INFORMATION CONTAINED IN THIS DRAWING IS THE SOLE PROPERTY OF ACME ELECTRIC. ANY REPRODUCTION IN PART OR AS A WHOLE WITHOUT THE WRITTEN PERMISSION OF ACME ELECTRIC IS PROHIBITED.	WEIGHT: LBS. SHEET 1 OF 1
DO NOT SCALE DRAWING		