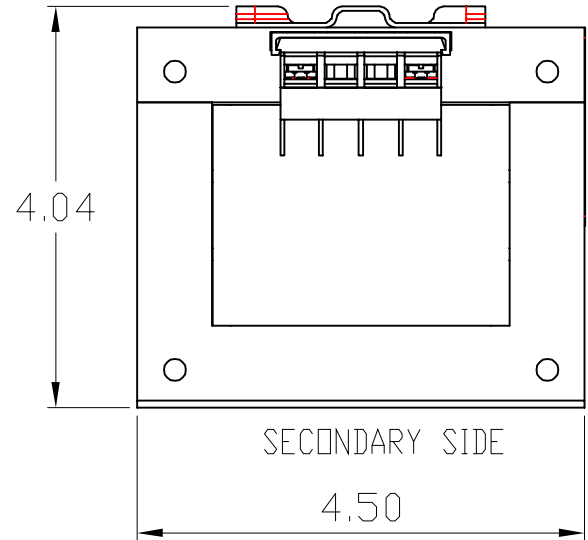


.20x.41 SLOT (4X)

TERMINAL SCREWS ARE COMBINATION M3.5 X 0.6 PHIL-SLOT WITH SEMS WASHER

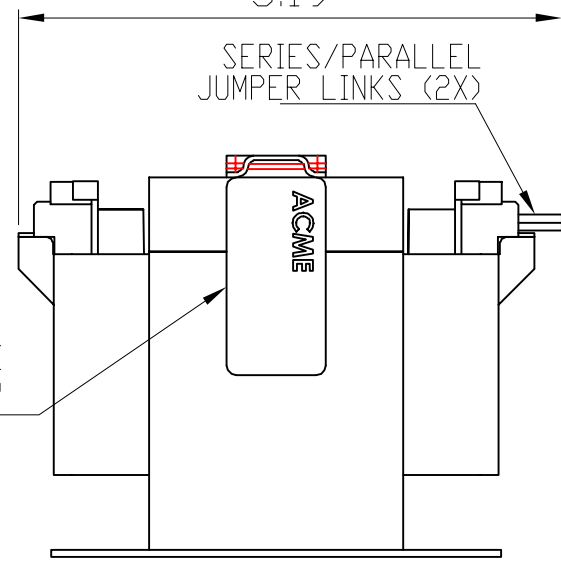


SECONDARY SIDE

4.50

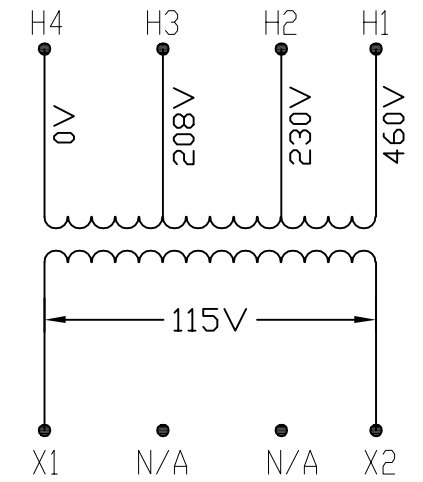
TRANSFORMER SPECIFICATIONS	
PRIMARY VOLTAGE(S)	208/230/460
SECONDARY VOLTAGE(S)	115
RATED V.A.	350
RATED FREQUENCY	50/60
INSULATION CLASS	130°C @ MAX RISE 80°C
AGENCY APPROVALS	UL, CUL
ESTIMATED WEIGHT	13.6 LBS

SECONDARY SIDE 5.19 PRIMARY SIDE




SERIES/PARALLEL JUMPER LINKS (2X)

IDENTIFICATION LABEL (OPPOSITE SIDE DIAGRAM LABEL)



CONNECTION DIAGRAM

DIMENSIONS ARE IN INCHES TOLERANCES: .XX ± .03 .XXX ± .010 ANGULAR: ± 1° SOURCE N/A MATERIAL N/A FINISH N/A DO NOT SCALE DRAWING	NAME VS	DATE 06/03/2020	 DESCRIPTION: 350 VA SIZE DWG. NO. CE350N005 WEIGHT: LBS. SHEET 1 OF 1
	DRAWN BY:	CHECKED BY:	
	PROPRIETARY AND CONFIDENTIAL THE INFORMATION CONTAINED IN THIS DRAWING IS THE SOLE PROPERTY OF ACME ELECTRIC. ANY REPRODUCTION IN PART OR AS A WHOLE WITHOUT THE WRITTEN PERMISSION OF ACME ELECTRIC IS PROHIBITED.		
	A		