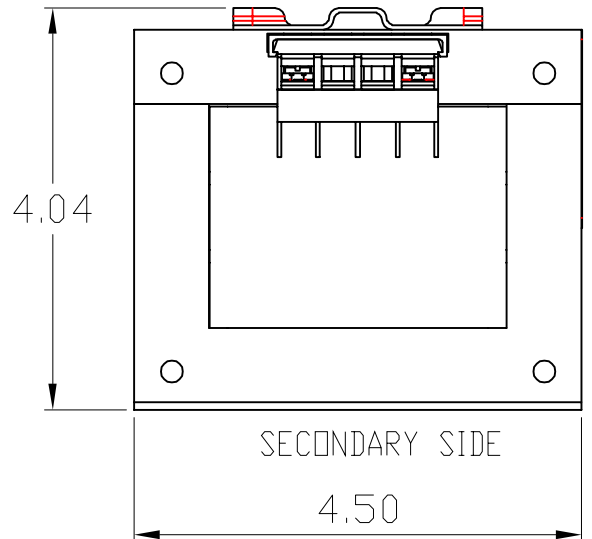
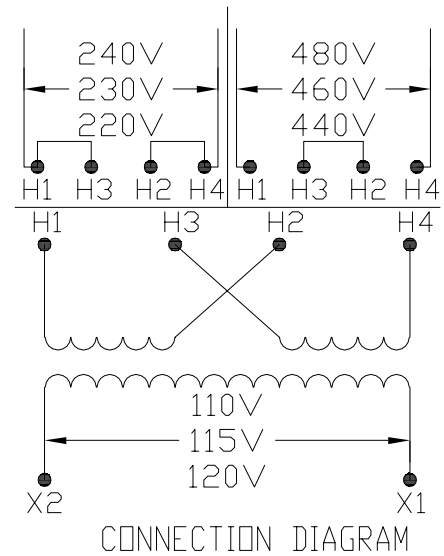
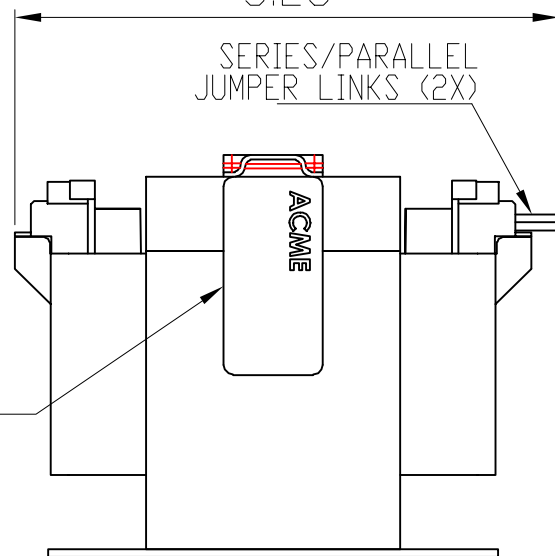



TRANSFORMER SPECIFICATIONS	
PRIMARY VOLTAGE(S)	230x460
SECONDARY VOLTAGE(S)	115
RATED V.A.	350
RATED FREQUENCY	50/60
INSULATION CLASS	130°C @ MAX RISE 80°C
AGENCY APPROVALS	UL, CUL
ESTIMATED WEIGHT	13.6 LBS



SECONDARY SIDE 5.28 PRIMARY SIDE



DIMENSIONS ARE IN INCHES TOLERANCES: .XX ± .03 .XXX ± .010 ANGULAR: ± 1°	DRAWN BY:	VS	DATE	06/05/2020
	CHECKED BY:			
	SOURCE	N/A	PROPRIETARY AND CONFIDENTIAL	
	MATERIAL	N/A	THE INFORMATION CONTAINED IN THIS DRAWING IS THE SOLE PROPERTY OF ACME ELECTRIC. ANY REPRODUCTION IN PART OR AS A WHOLE WITHOUT THE WRITTEN PERMISSION OF ACME ELECTRIC IS PROHIBITED.	
FINISH	N/A			
DO NOT SCALE DRAWING				


Acme Electric

DESCRIPTION:
 350 VA

SIZE DWG. NO. **CE350N008**

WEIGHT: LBS. SHEET 1 OF 1