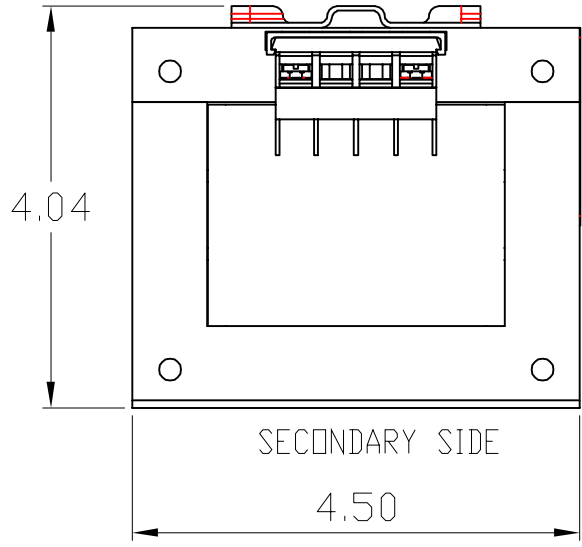


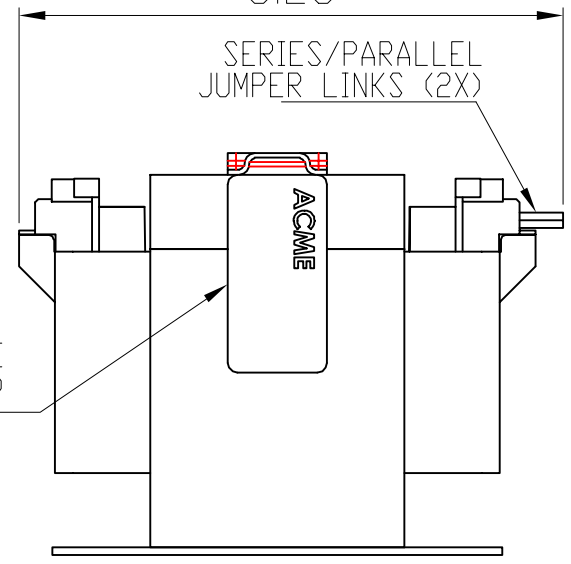
.20X.41 SLOT (4X)

TERMINAL SCREWS ARE COMBINATION M3.5 X 0.6 PHIL-SLOT WITH SEMS WASHER

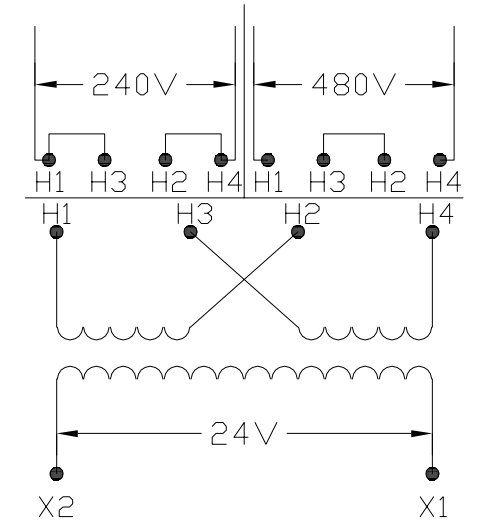


TRANSFORMER SPECIFICATIONS	
PRIMARY VOLTAGE(S)	240x480
SECONDARY VOLTAGE(S)	24
RATED V.A.	350
RATED FREQUENCY	50/60
INSULATION CLASS	130°C @ MAX RISE 80°C
AGENCY APPROVALS	UL, CUL
ESTIMATED WEIGHT	13.6 LBS

SECONDARY SIDE 5.28 PRIMARY SIDE



IDENTIFICATION LABEL (OPPOSITE SIDE DIAGRAM LABEL)



CONNECTION DIAGRAM

DIMENSIONS ARE IN INCHES TOLERANCES: .XX ± .03 .XXX ± .010 ANGULAR: ± 1°	DRAWN BY:	VS	DATE	06/05/2020
	CHECKED BY:			
	DESCRIPTION: <div style="text-align: center;">Acme Electric</div> 350 VA			
SOURCE	N/A			PROPRIETARY AND CONFIDENTIAL THE INFORMATION CONTAINED IN THIS DRAWING IS THE SOLE PROPERTY OF ACME ELECTRIC. ANY REPRODUCTION IN PART OR AS A WHOLE WITHOUT THE WRITTEN PERMISSION OF ACME ELECTRIC IS PROHIBITED.
MATERIAL	N/A			
FINISH	N/A			
DO NOT SCALE DRAWING				
SIZE	DWG. NO.		CE350N013	
WEIGHT:		LBS.	SHEET 1 OF 1	