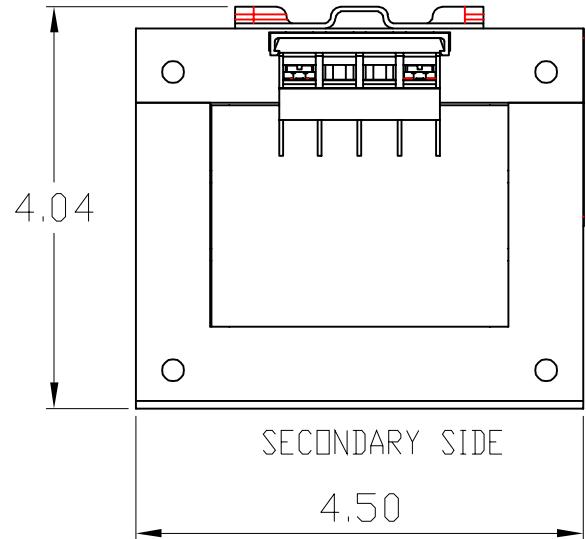


.20X.41 SLOT (4X)

TERMINAL SCREWS ARE COMBINATION M3.5 X 0.6 PHIL-SLOT WITH SEMS WASHER



SECONDARY SIDE

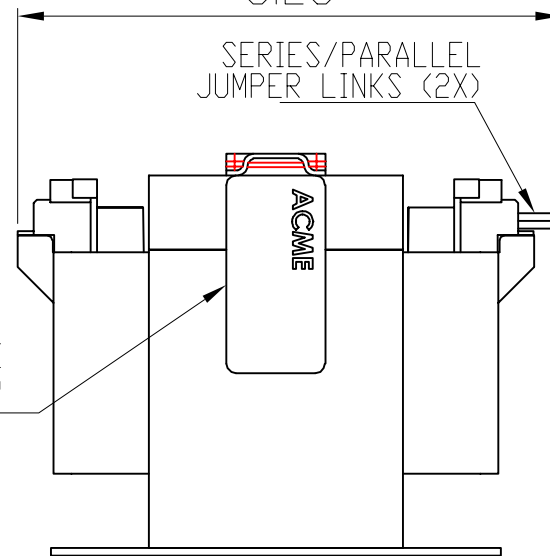
4.50

TRANSFORMER SPECIFICATIONS	
PRIMARY VOLTAGE(S)	380/400/415
SECONDARY VOLTAGE(S)	110x220
RATED V.A.	350
RATED FREQUENCY	50/60
INSULATION CLASS	130°C @ MAX RISE 80°C
AGENCY APPROVALS	UL, CUL
ESTIMATED WEIGHT	13.6 LBS

SECONDARY SIDE

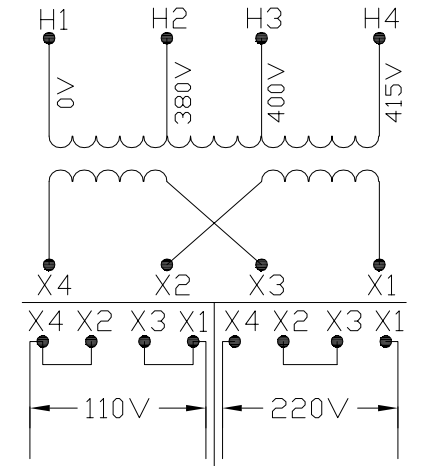
5.28

PRIMARY SIDE




SERIES/PARALLEL JUMPER LINKS (2X)

IDENTIFICATION LABEL (OPPOSITE SIDE DIAGRAM LABEL)



CONNECTION DIAGRAM

DIMENSIONS ARE IN INCHES TOLERANCES: .XX ± .03 .XXX ± .010 ANGULAR: ± 1°	DRAWN BY:	VS	DATE	06/05/2020
	CHECKED BY:			
SOURCE	N/A			
MATERIAL	N/A			
FINISH	N/A			
DO NOT SCALE DRAWING	PROPRIETARY AND CONFIDENTIAL THE INFORMATION CONTAINED IN THIS DRAWING IS THE SOLE PROPERTY OF ACME ELECTRIC. ANY REPRODUCTION IN PART OR AS A WHOLE WITHOUT THE WRITTEN PERMISSION OF ACME ELECTRIC IS PROHIBITED.			
		DESCRIPTION:		
		350 VA		
SIZE	DWG. NO.	CE350N016		
WEIGHT:		LBS.	SHEET 1 OF 1	