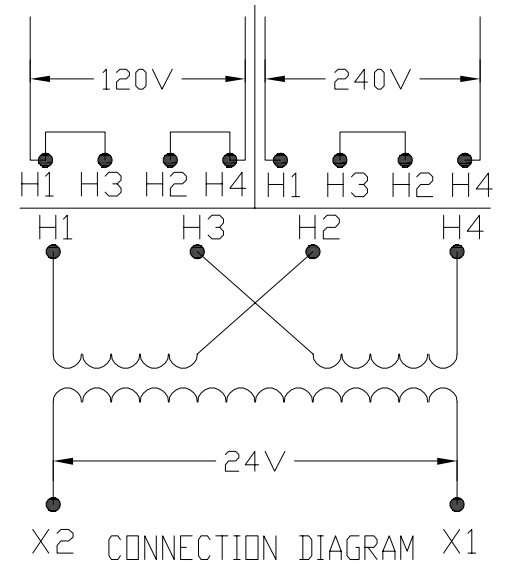
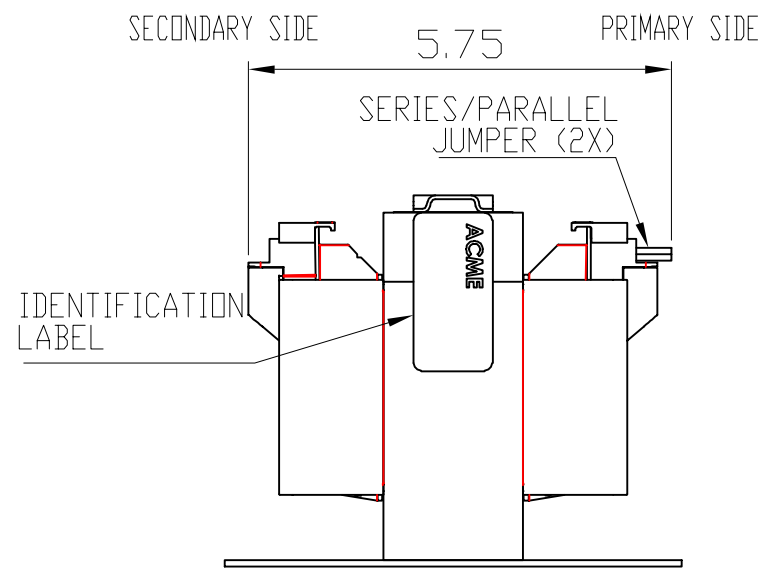
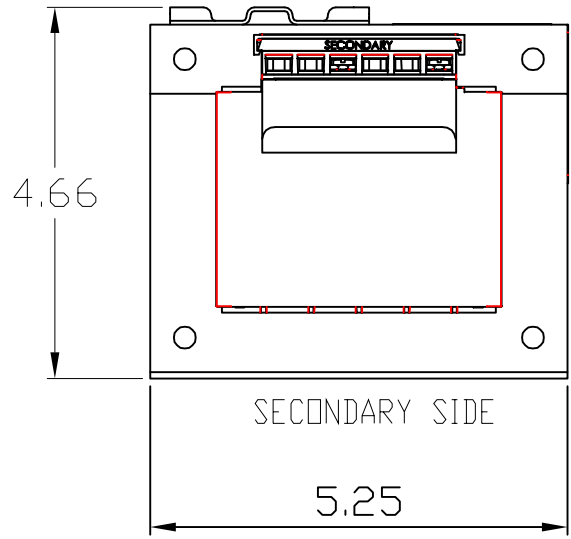



TRANSFORMER SPECIFICATIONS	
PRIMARY VOLTAGE(S)	120x240
SECONDARY VOLTAGE(S)	24
RATED V.A.	500
RATED FREQUENCY	50/60
INSULATION CLASS	130°C @ MAX RISE 80°C
AGENCY APPROVALS	UL, CUL
ESTIMATED WEIGHT	19.2 LBS



DIMENSIONS ARE IN INCHES TOLERANCES: .XX ± .03 .XXX ± .010 ANGULAR: ± 1° SOURCE N/A MATERIAL N/A FINISH N/A DO NOT SCALE DRAWING	DRAWN BY:	NAME	DATE	 DESCRIPTION: 500 VA SIZE DWG. NO. CE500N002 WEIGHT: LBS. SHEET 1 OF 1
	CHECKED BY:	VS	06/03/2020	
	PROPRIETARY AND CONFIDENTIAL THE INFORMATION CONTAINED IN THIS DRAWING IS THE SOLE PROPERTY OF ACME ELECTRIC. ANY REPRODUCTION IN PART OR AS A WHOLE WITHOUT THE WRITTEN PERMISSION OF ACME ELECTRIC IS PROHIBITED.			