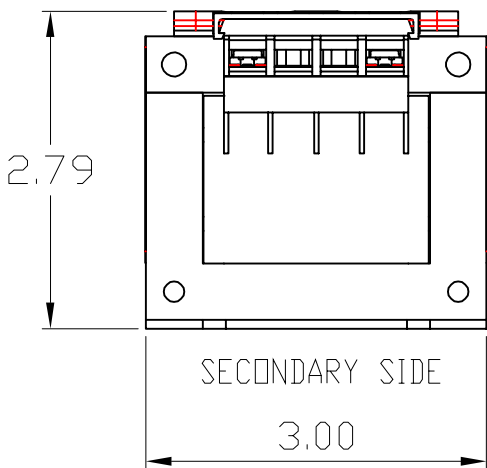
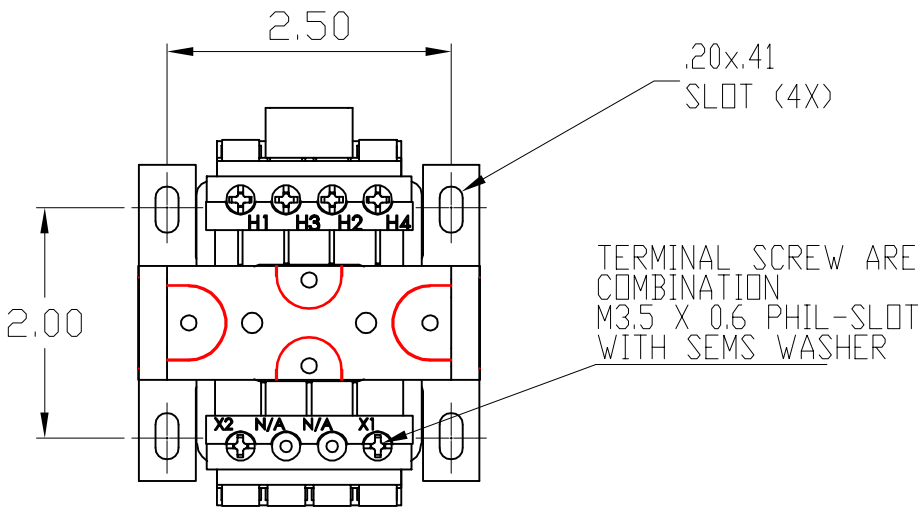
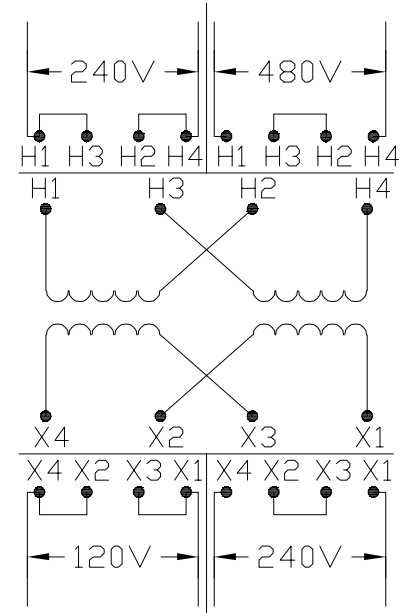
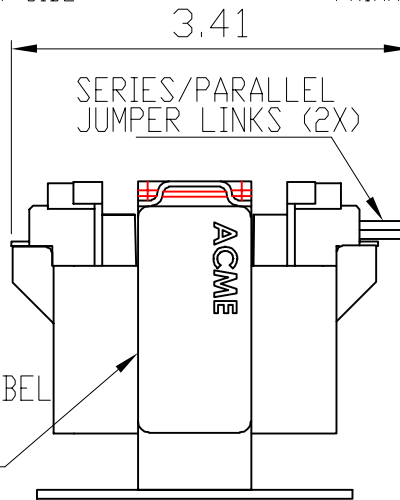


TRANSFORMER SPECIFICATIONS	
PRIMARY VOLTAGE(S)	240×480
SECONDARY VOLTAGE(S)	120×240
RATED V.A.	50
RATED FREQUENCY	50/60
INSULATION CLASS	130°C @ MAX RISE 55°C
AGENCY APPROVALS	UL, CUL
ESTIMATED WEIGHT	2.6 LBS




SECONDARY SIDE PRIMARY SIDE



CONNECTION DIAGRAM

DIMENSIONS ARE IN INCHES TOLERANCES: .XX ± .03 .XXX ± .010 ANGULAR: ± 1°	DRAWN BY:	NAME	DATE
	CHECKED BY:	VS	06/08/2020
SOURCE	N/A		
MATERIAL	N/A		
FINISH	N/A		
DO NOT SCALE DRAWING	PROPRIETARY AND CONFIDENTIAL THE INFORMATION CONTAINED IN THIS DRAWING IS THE SOLE PROPERTY OF ACME ELECTRIC. ANY REPRODUCTION IN PART OR AS A WHOLE WITHOUT THE WRITTEN PERMISSION OF ACME ELECTRIC IS PROHIBITED.		

 <b>Acme Electric</b>	
DESCRIPTION:	
50 VA	
SIZE DWG. NO.	CE50N014
WEIGHT:	LBS.
SHEET 1 OF 1	