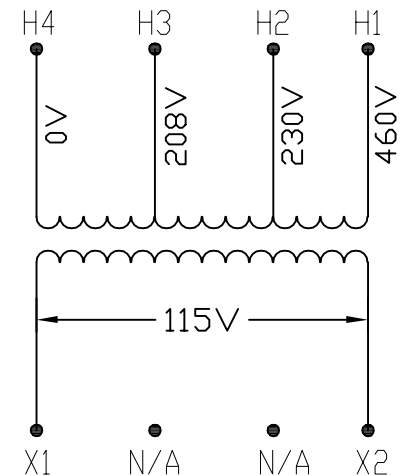
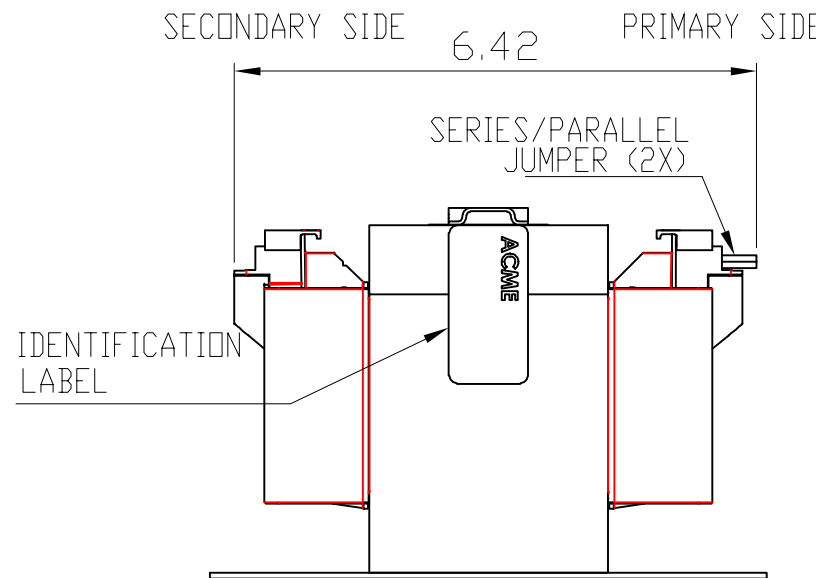
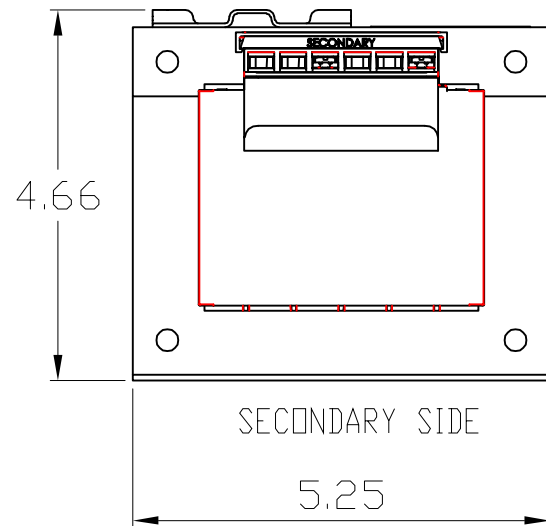


TRANSFORMER SPECIFICATIONS	
PRIMARY VOLTAGE(S)	208/230/460
SECONDARY VOLTAGE(S)	115
RATED V.A.	750
RATED FREQUENCY	50/60
INSULATION CLASS	130°C @ MAX RISE 80°C
AGENCY APPROVALS	UL, CUL
ESTIMATED WEIGHT	28.1 LBS




CONNECTION DIAGRAM

DIMENSIONS ARE IN INCHES  
TOLERANCES:  
.XX ± .03  
.XXX ± .010  
ANGULAR: ± 1°

SOURCE N/A  
MATERIAL N/A  
FINISH N/A  
DO NOT SCALE DRAWING

NAME  
DATE  
DRAWN BY: VS 06/03/2020  
CHECKED BY:

PROPRIETARY AND CONFIDENTIAL  
THE INFORMATION CONTAINED IN THIS DRAWING IS THE SOLE PROPERTY OF ACME ELECTRIC. ANY REPRODUCTION IN PART OR AS A WHOLE WITHOUT THE WRITTEN PERMISSION OF ACME ELECTRIC IS PROHIBITED.



DESCRIPTION:  
750 VA

SIZE DWG. NO. A CE750N005

WEIGHT: LBS. SHEET 1 OF 1