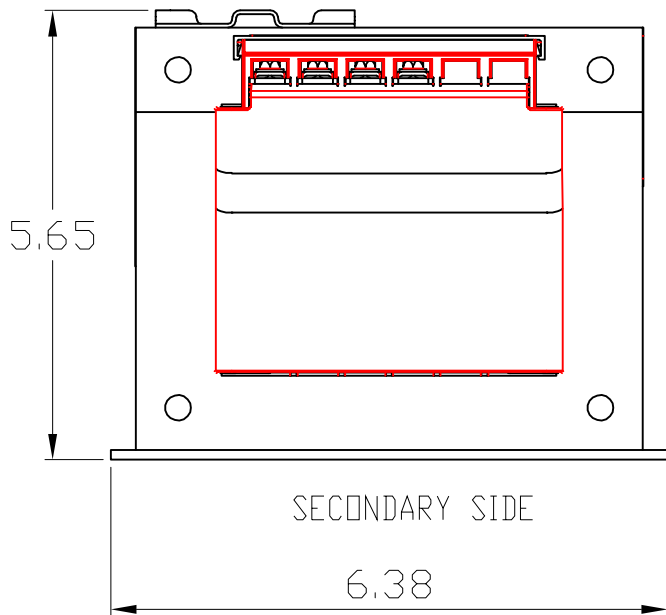
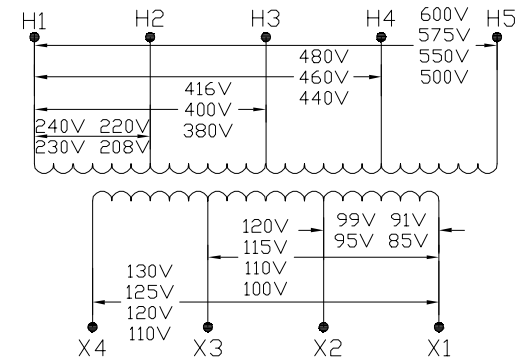
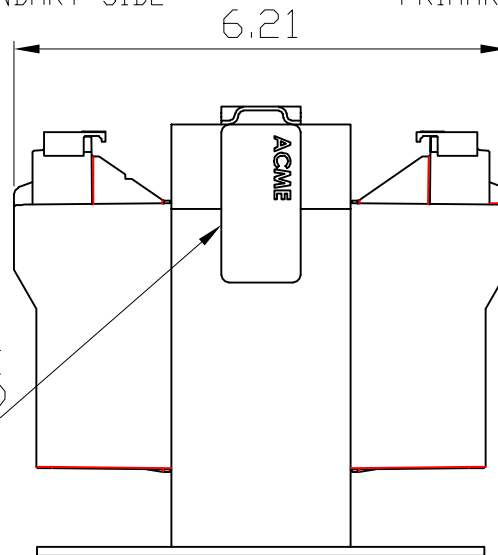



TRANSFORMER SPECIFICATIONS	
PRIMARY VOLTAGE(S)	230/400/460/575
SECONDARY VOLTAGE(S)	95/115/125
RATED V.A.	750
RATED FREQUENCY	50/60
INSULATION CLASS	130°C @ MAX RISE 80°C
AGENCY APPROVALS	UL, CUL
ESTIMATED WEIGHT	29.8 LBS



SECONDARY SIDE PRIMARY SIDE



CONNECTION DIAGRAM

DIMENSIONS ARE IN INCHES TOLERANCES: .XX ± .03 .XXX ± .010 ANGULAR: ± 1°	NAME	DATE	 <b>Acme Electric</b>
	DRAWN BY: VS	06/08/2020	
SOURCE N/A	CHECKED BY:		DESCRIPTION: 750 VA
MATERIAL N/A	PROPRIETARY AND CONFIDENTIAL THE INFORMATION CONTAINED IN THIS DRAWING IS THE SOLE PROPERTY OF ACME ELECTRIC. ANY REPRODUCTION IN PART OR AS A WHOLE WITHOUT THE WRITTEN PERMISSION OF ACME ELECTRIC IS PROHIBITED.		SIZE DWG. NO. A CE750N007
FINISH N/A			WEIGHT: LBS.
DO NOT SCALE DRAWING			