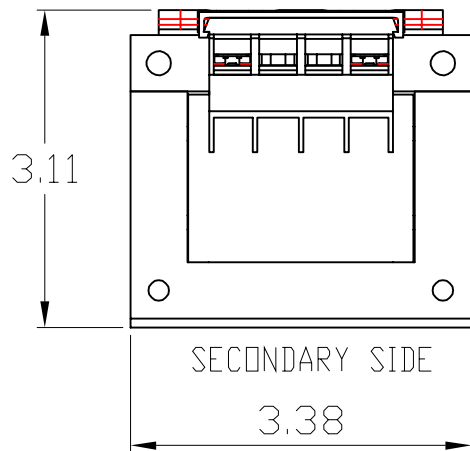


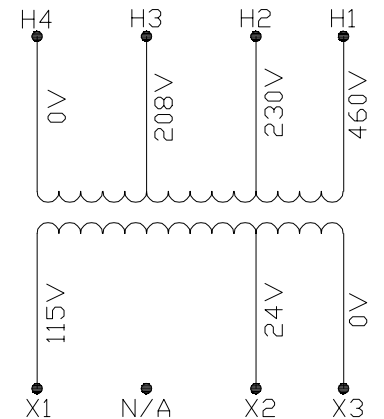
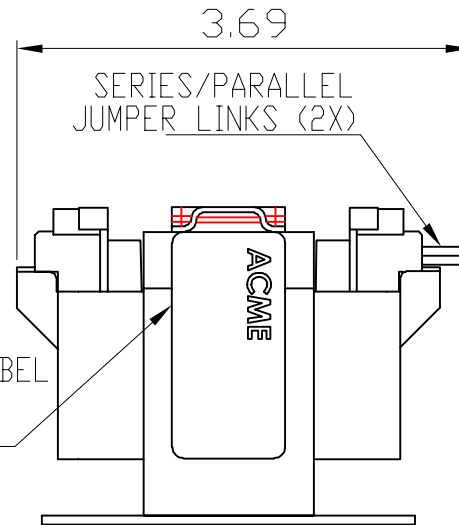
TRANSFORMER SPECIFICATIONS	
PRIMARY VOLTAGE(S)	208/230/460
SECONDARY VOLTAGE(S)	24/115
RATED V.A.	75
RATED FREQUENCY	50/60
INSULATION CLASS	130°C @ MAX RISE 55°C
AGENCY APPROVALS	UL, CUL
ESTIMATED WEIGHT	4.2 LBS

SECONDARY SIDE

PRIMARY SIDE



IDENTIFICATION LABEL
(OPPOSITE SIDE
DIAGRAM LABEL)



CONNECTION DIAGRAM

DIMENSIONS ARE IN INCHES
TOLERANCES:
.XX ± .03
.XXX ± .010
ANGULAR: ± 1°

SOURCE N/A
MATERIAL N/A
FINISH N/A

DO NOT SCALE DRAWING

NAME	DATE
DRAWN BY: VS	06/03/2020
CHECKED BY:	

PROPRIETARY AND CONFIDENTIAL
THE INFORMATION CONTAINED IN
THIS DRAWING IS THE SOLE
PROPERTY OF ACME ELECTRIC.
ANY REPRODUCTION IN PART OR
AS A WHOLE WITHOUT THE WRITTEN
PERMISSION OF ACME ELECTRIC
IS PROHIBITED.



DESCRIPTION:

75 VA

SIZE DWG. NO.

A CE75N004

WEIGHT:

LBS.

SHEET 1 OF 1