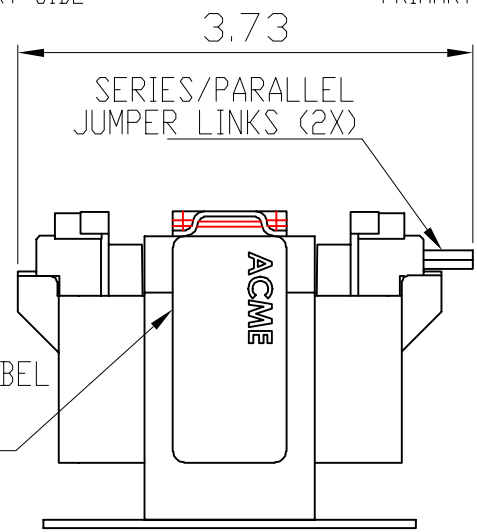


SECONDARY SIDE

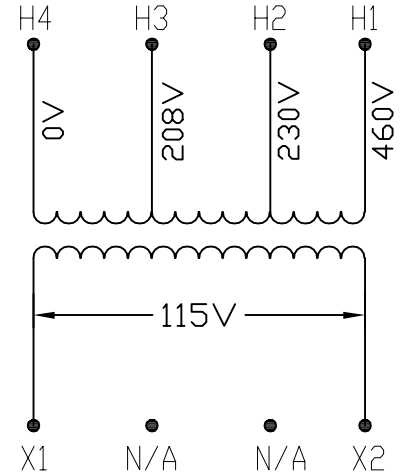
PRIMARY SIDE

TERMINAL SCREWS ARE COMBINATION M3.5 X 0.6 PHIL-SLOT WITH SEMS WASHER


IDENTIFICATION LABEL (OPPOSITE SIDE DIAGRAM LABEL)



TRANSFORMER SPECIFICATIONS	
PRIMARY VOLTAGE(S)	208/230/460
SECONDARY VOLTAGE(S)	115
RATED V.A.	75
RATED FREQUENCY	50/60
INSULATION CLASS	130°C @ MAX RISE 55°C
AGENCY APPROVALS	UL, CUL
ESTIMATED WEIGHT	3.5 LBS



CONNECTION DIAGRAM

DIMENSIONS ARE IN INCHES TOLERANCES: .XX ± .03 .XXX ± .010 ANGULAR: ± 1° SOURCE: N/A MATERIAL: N/A FINISH: N/A DO NOT SCALE DRAWING	NAME	DATE	 DESCRIPTION: 75 VA SIZE DWG. NO. CE75N005 WEIGHT: LBS. SHEET 1 OF 1
	DRAWN BY: VS	06/03/2020	
	CHECKED BY:		
	PROPRIETARY AND CONFIDENTIAL THE INFORMATION CONTAINED IN THIS DRAWING IS THE SOLE PROPERTY OF ACME ELECTRIC. ANY REPRODUCTION IN PART OR AS A WHOLE WITHOUT THE WRITTEN PERMISSION OF ACME ELECTRIC IS PROHIBITED.		