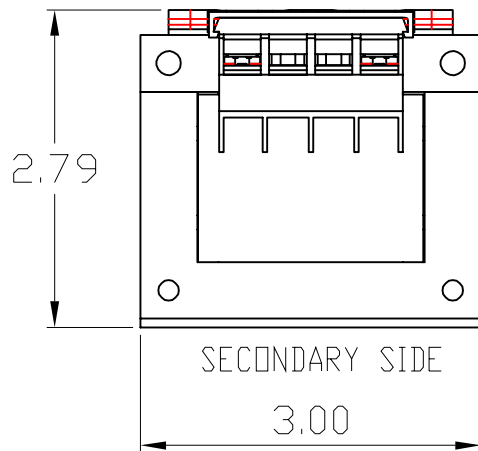
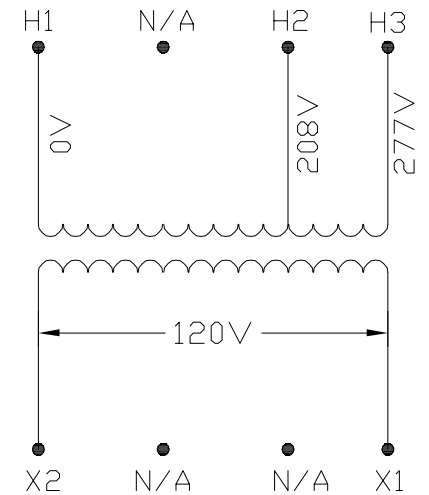
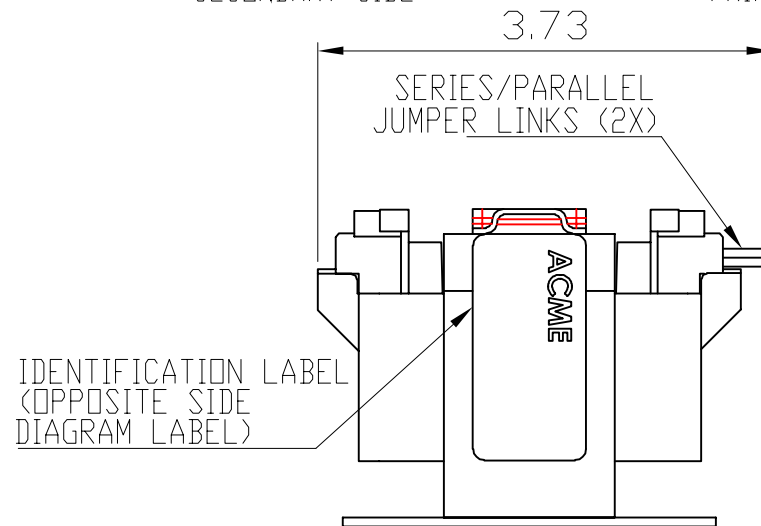


TRANSFORMER SPECIFICATIONS	
PRIMARY VOLTAGE(S)	208/277
SECONDARY VOLTAGE(S)	120
RATED V.A.	75
RATED FREQUENCY	50/60
INSULATION CLASS	130°C @ MAX RISE 55°C
AGENCY APPROVALS	UL, CUL
ESTIMATED WEIGHT	3.5 LBS



SECONDARY SIDE PRIMARY SIDE




CONNECTION DIAGRAM

DIMENSIONS ARE IN INCHES
TOLERANCES:
.XX ± .03
.XXX ± .010
ANGULAR: ± 1°

SOURCE N/A
MATERIAL N/A
FINISH N/A
DO NOT SCALE DRAWING

NAME DATE
DRAWN BY: VS 06/04/20
CHECKED BY:

PROPRIETARY AND CONFIDENTIAL
THE INFORMATION CONTAINED IN
THIS DRAWING IS THE SOLE
PROPERTY OF ACME ELECTRIC.
ANY REPRODUCTION IN PART OR
AS A WHOLE WITHOUT THE WRITTEN
PERMISSION OF ACME ELECTRIC
IS PROHIBITED.



DESCRIPTION:
75 VA

SIZE DWG. NO. A CE75N006

WEIGHT: LBS. SHEET 1 OF 1