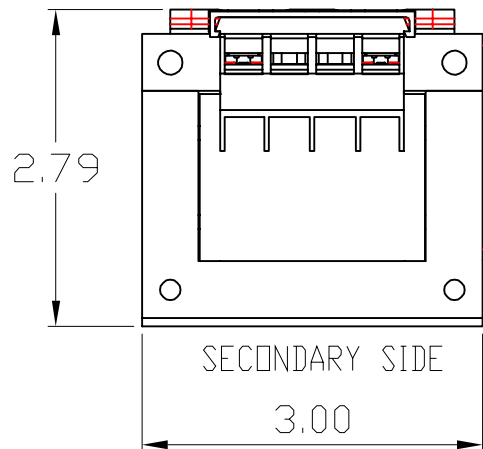
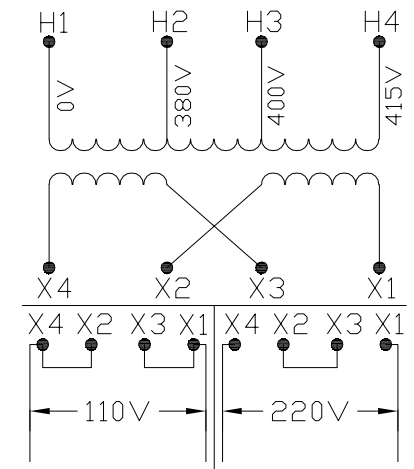
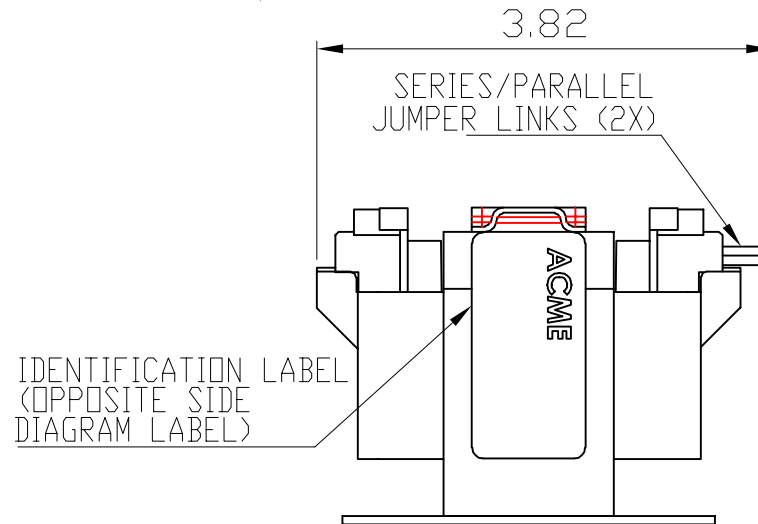



TRANSFORMER SPECIFICATIONS	
PRIMARY VOLTAGE(S)	380/400/415
SECONDARY VOLTAGE(S)	110x220
RATED V.A.	75
RATED FREQUENCY	50/60
INSULATION CLASS	130°C @ MAX RISE 55°C
AGENCY APPROVALS	UL, CUL
ESTIMATED WEIGHT	3.5 LBS



SECONDARY SIDE PRIMARY SIDE



CONNECTION DIAGRAM

DIMENSIONS ARE IN INCHES TOLERANCES: .XX ± .03 .XXX ± .010 ANGULAR: ± 1°	DRAWN BY:	VS	DATE	06/05/2020	 Acme Electric
	CHECKED BY:				
SOURCE	N/A				75 VA
MATERIAL	N/A				
FINISH	N/A				
DO NOT SCALE DRAWING	PROPRIETARY AND CONFIDENTIAL THE INFORMATION CONTAINED IN THIS DRAWING IS THE SOLE PROPERTY OF ACME ELECTRIC. ANY REPRODUCTION IN PART OR AS A WHOLE WITHOUT THE WRITTEN PERMISSION OF ACME ELECTRIC IS PROHIBITED.				SIZE DWG. NO. A CE75N016
		WEIGHT:	LBS.	SHEET 1 OF 1	