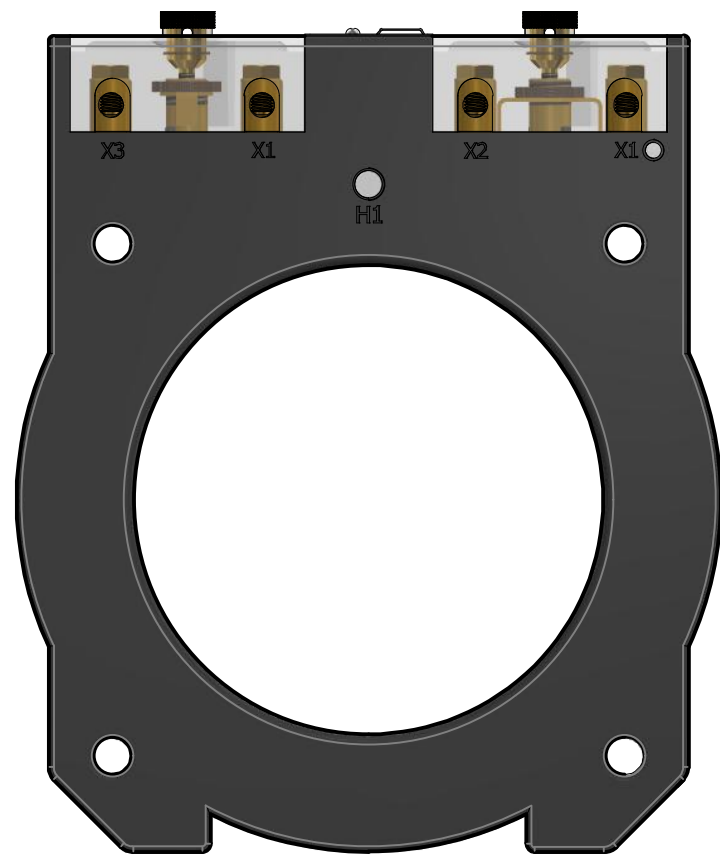
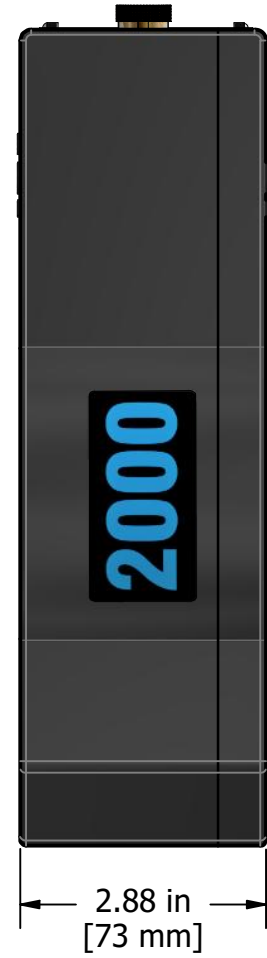


# CRT-3



DUAL-RATIO UNIT



**NOTES:**

- CORE & COIL ASSEMBLY IS HOUSED IN A PLASTIC CASE MADE FROM VALOX AND FILLED WITH A POLYURETHANE RESIN COMPOUND.
- SECONDARY TERMINALS ARE LARGE COMPRESSION-TYPE EQUIPPED WITH 1/4-28 SLOTTED HEX HEAD CLAMP SCREWS. A BRASS PIVOTING SHORT CIRCUIT DEVICE IS AN INTEGRAL PART OF THE SECONDARY TERMINAL ARRANGEMENT. THE SHORT CIRCUIT DEVICE INTERFERES WITH THE PROPER PLACEMENT OF THE CLEAR POLYCARBONATE TERMINAL COVER WHEN IN THE SHORTED POSITION. TERMINAL COVER IS DESIGNED TO ACCEPT A SEALING DEVICE.
- NAMEPLATE IS LASER ENGRAVED ALUMINUM AND IS ATTACHED TO THE TOP OF THE UNIT. PROVISION IS MADE FOR ATTACHING THE USER'S IDENTIFYING TAG.
- PRIMARY AND SECONDARY POLARITY MARKED H1 AND X1 ARE MOLDED INTO THE CASE.

**ELECTRICAL SPECIFICATIONS:**

- APPLICATION: METERING
- RATED FREQUENCY: 60Hz
- INSULATION CLASS: 0.6kV, 10kV BIL FULL WAVE.
- STANDARD SECONDARY CURRENT: 5A

**MOUNTING**

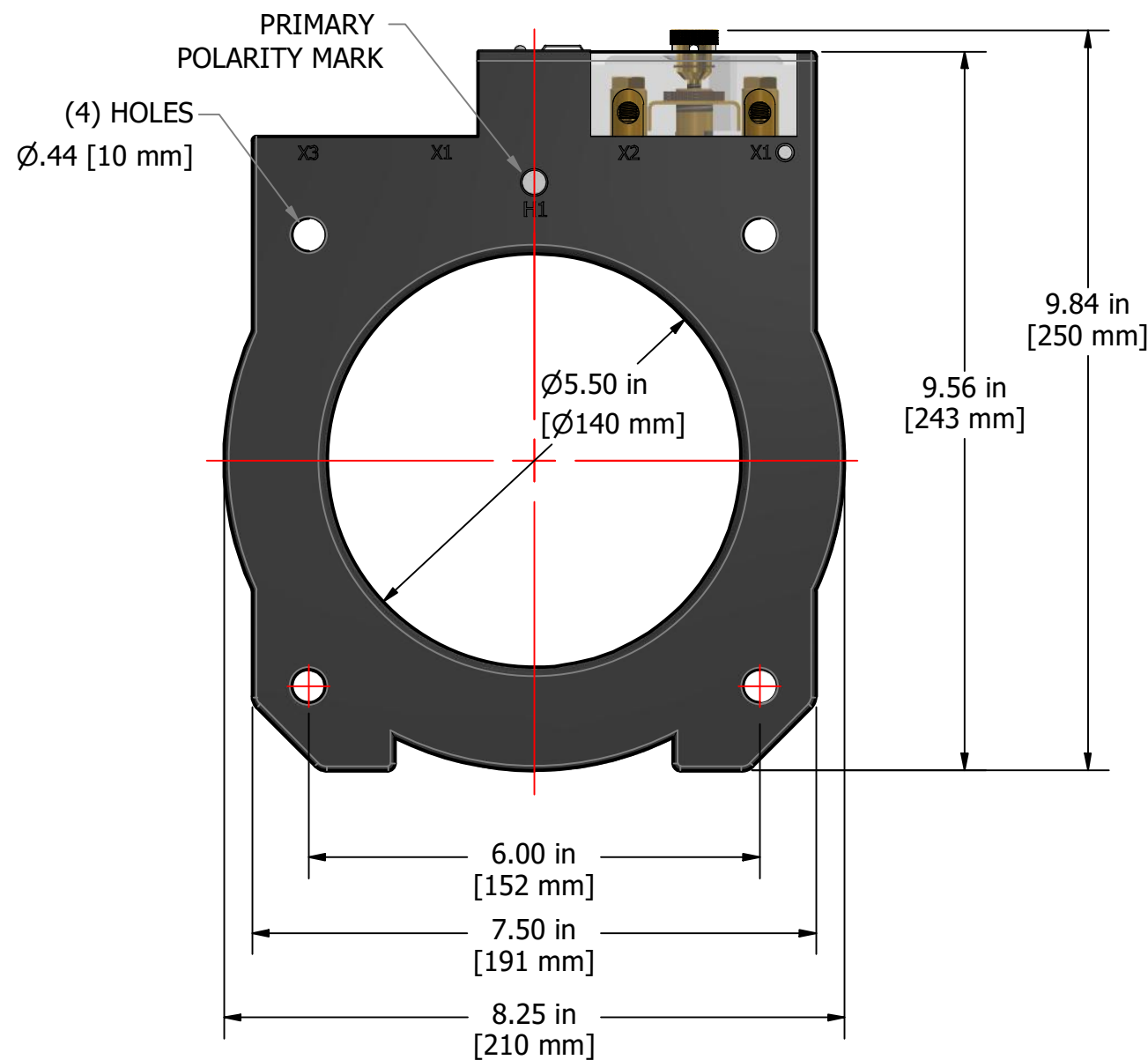
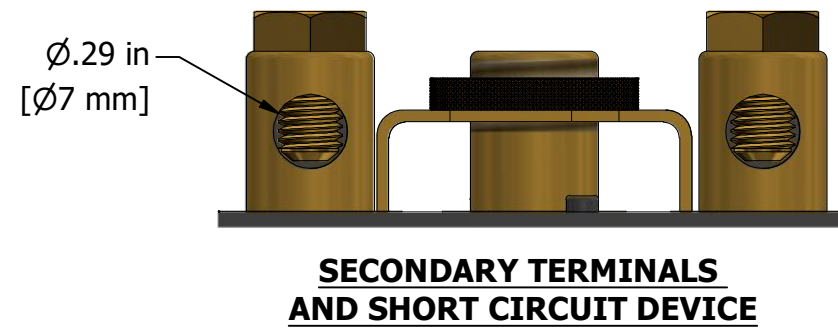
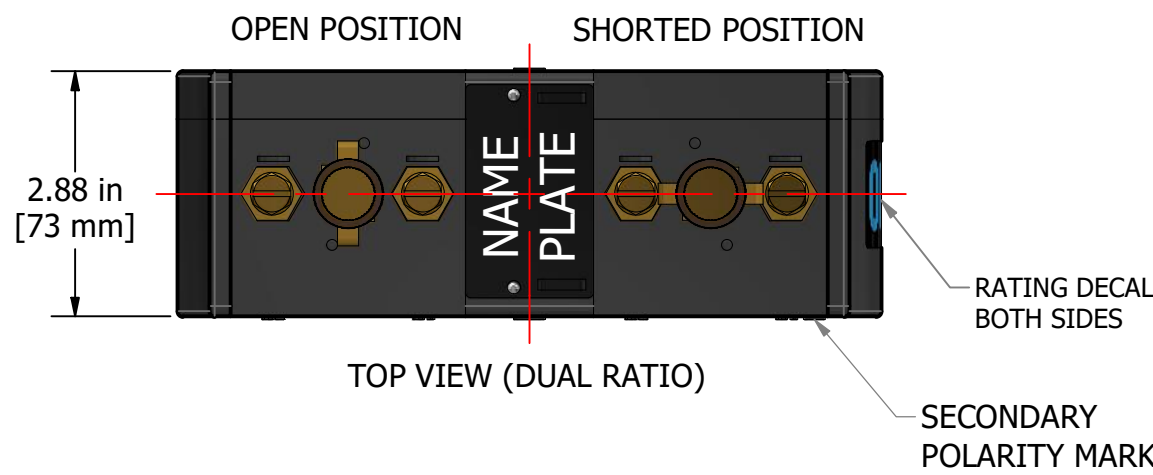
- THE TRANSFORMER CAN BE MOUNTED IN ANY ORIENTATION. OPTIONAL FOUR-PIECE OR ONE-PIECE BASES ARE CONSTRUCTED OF CORROSION-RESISTANT ALUMINUM. THE CRT-3 MAY ALSO BE SECURED TO A WALL PANEL OR BRACKET BY USING MOUNTING HOLES IN THE TRANSFORMER BODY.

**BUSBARS**

- PRIMARY BAR KITS ARE AVAILABLE FOR CONVERTING THE CRT-3 TO BAR TYPE UNIT. THESE KITS ARE MADE OF TINNED COPPER AND HAVE FOUR HOLE NEMA PAD ON EITHER END. KITS VARY FROM A SINGLE BAR FOR CURRENTS UP TO A MAXIMUM 1950 AMPERES, TO A FOUR BAR ASSEMBLY FOR A MAXIMUM OF 5100 AMPERES. WINDOW PLATES ARE USED TO CHANGE THE WINDOW OPENING TO CRUCIFORM.

**APPROX. WEIGHT:**

- TRANSFORMER, WINDOW TYPE.....13 LBS [5.4 kg]
- TRANSFORMER, PRIMARY-BAR TYPE.....17 LBS [7.7 kg]
- MOUNTING BASE, ADD.....2 LBS [0.9 kg]

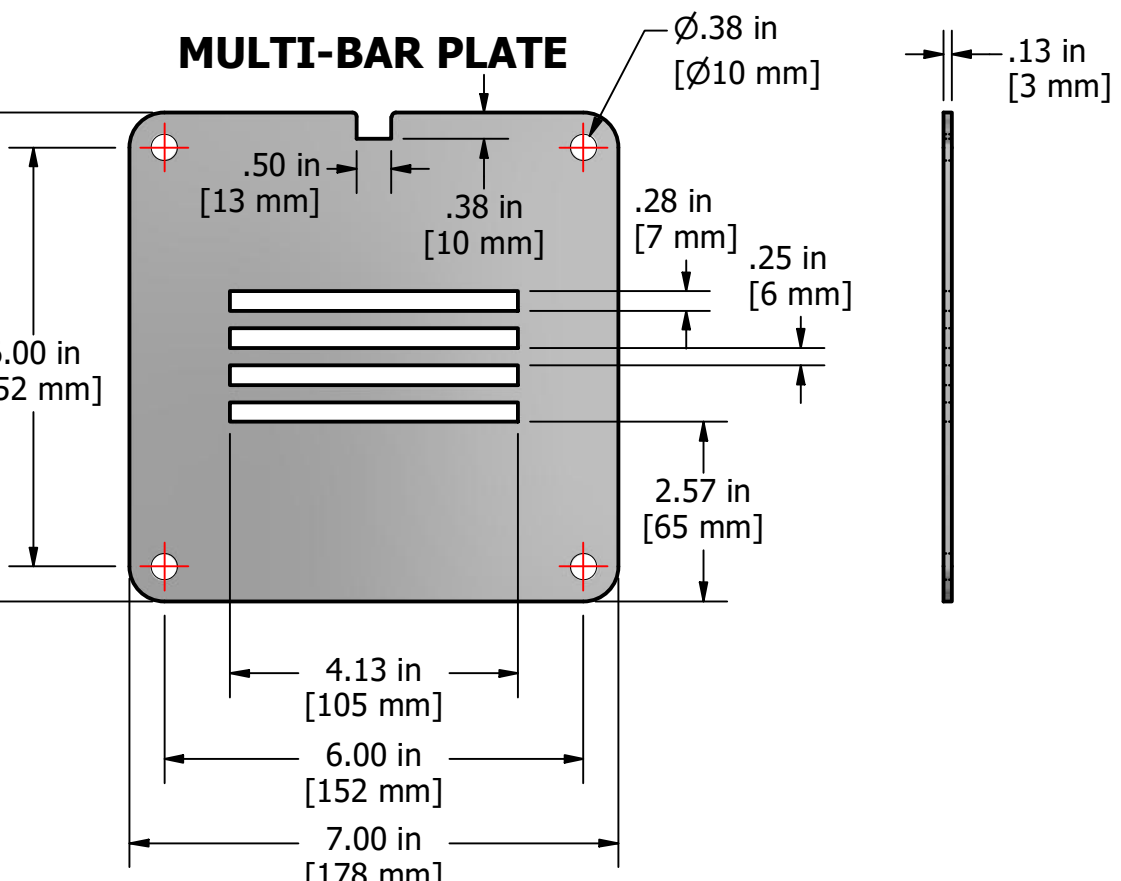
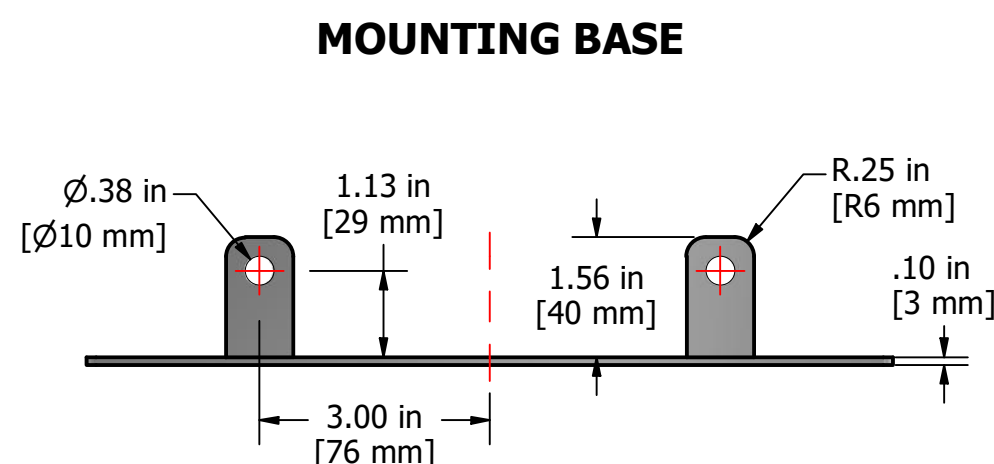
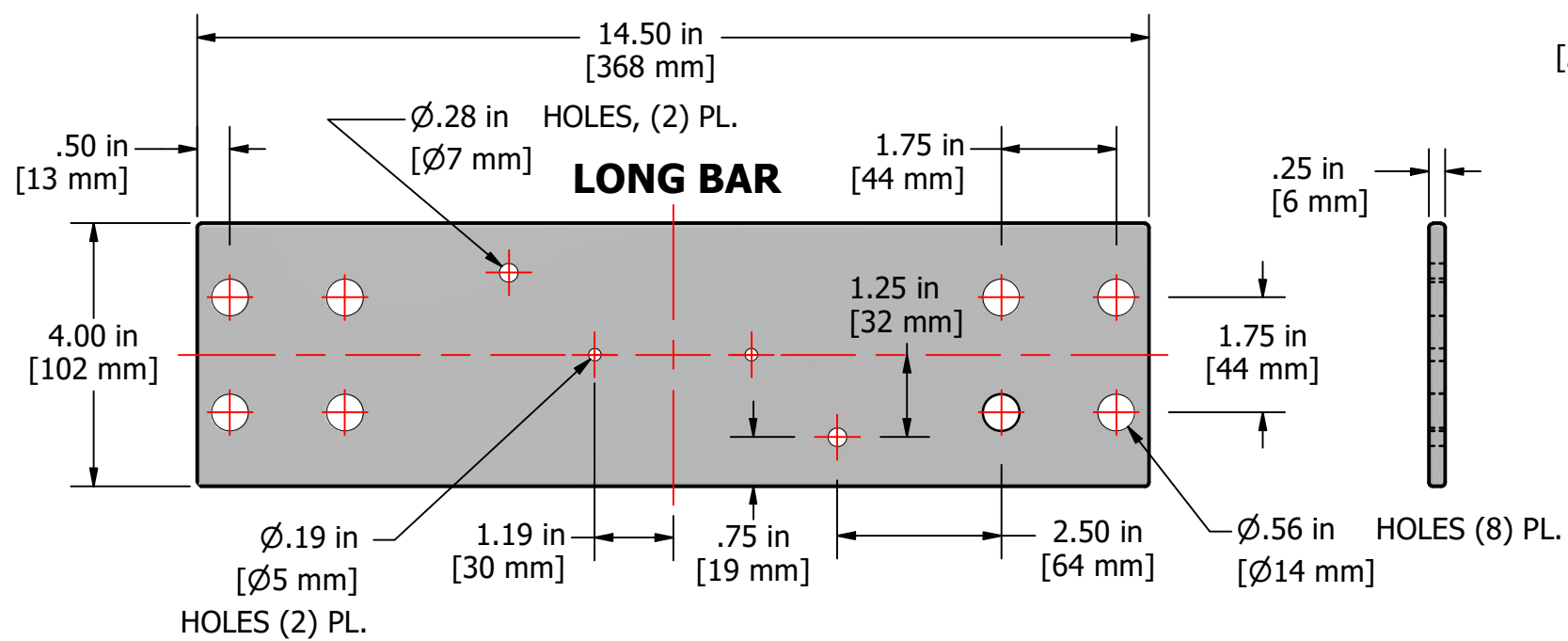
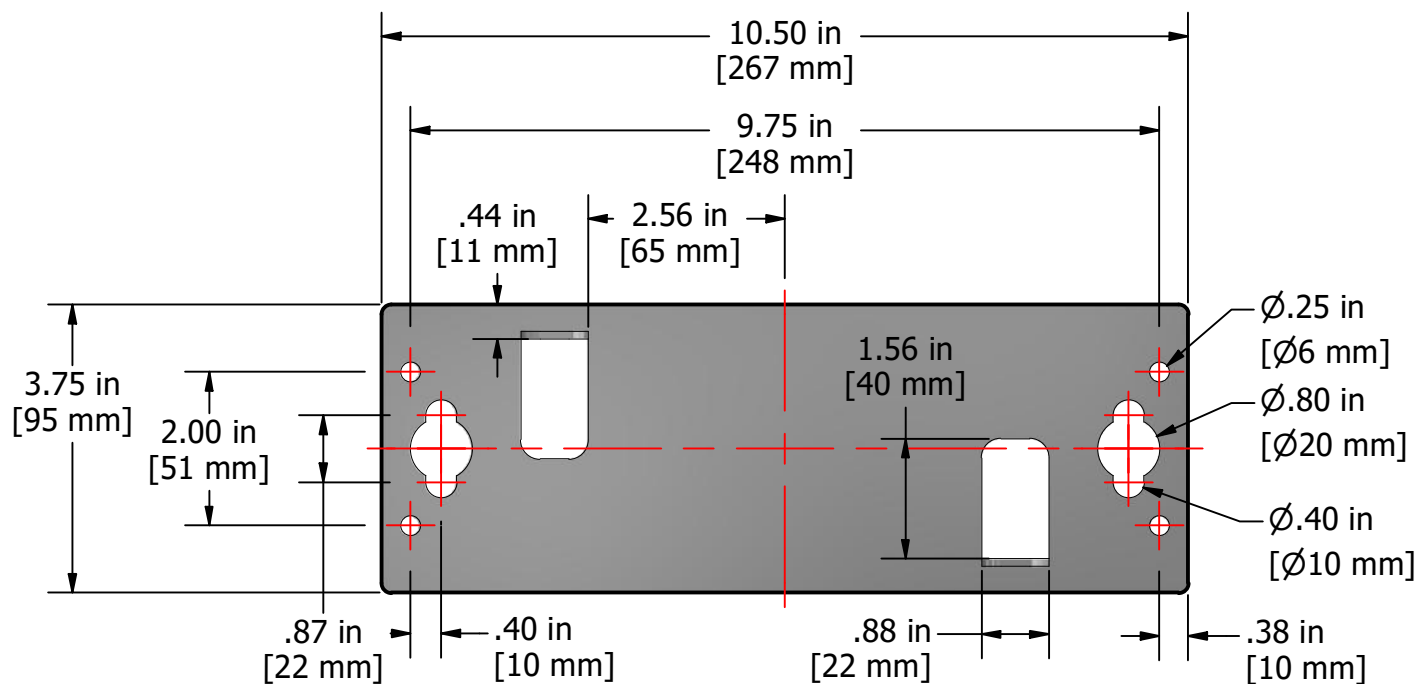
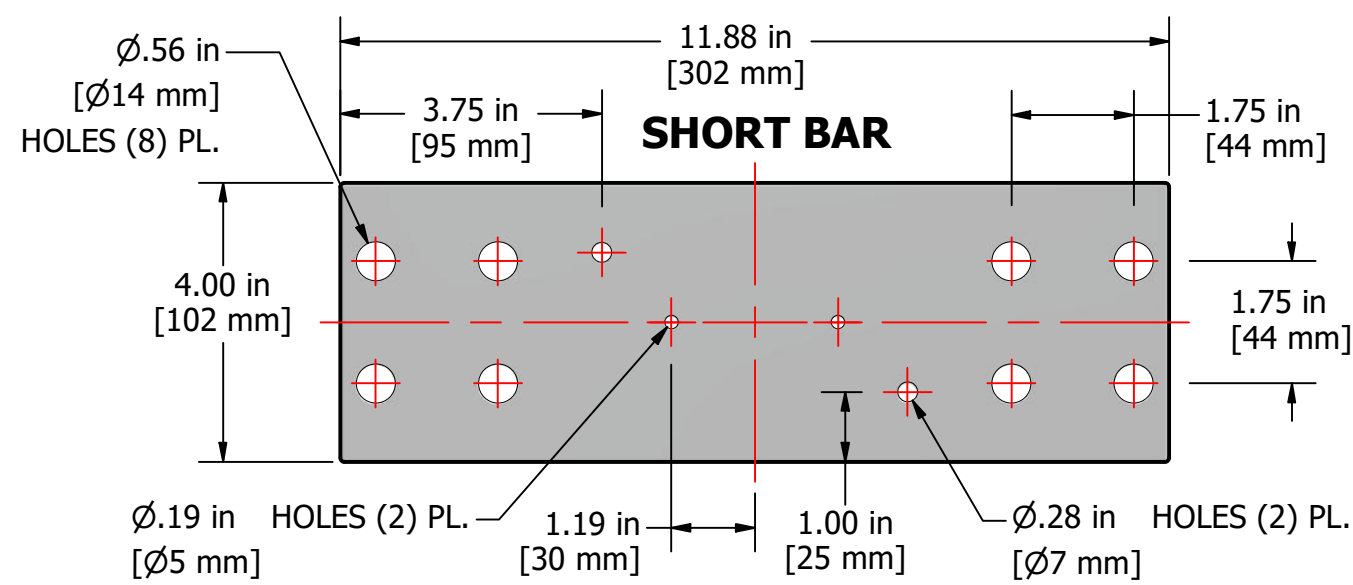


CATALOGUE NUMBER	RATIO	IEEE METERING ACCURACY					CONT. THERMAL RATING FACTOR	
		B-0.1	B-0.2	B-0.5	B-0.9	B-1.8	@30°C	@55°C
<b>SINGLE-RATIO</b>								
CRT-3-201-XXX	200:5	0.6	1.2	--	--	--	4.0	3.0
CRT-3-301-XXX	300:5	0.3	0.6	1.2	--	--	4.0	3.0
CRT-3-401-XXX	400:5	0.3	0.3	0.6	1.2	--	4.0	3.0
CRT-3-501-XXX	500:5	0.3	0.3	0.3	0.6	--	4.0	3.0
CRT-3-601-XXX	600:5	0.3	0.3	0.3	0.6	1.2	3.0	2.0
CRT-3-801-XXX	800:5	0.3	0.3	0.3	0.3	0.6	3.0	2.0
CRT-3-102-XXX	1000:5	0.3	0.3	0.3	0.3	0.3	2.0	1.5
CRT-3-122-XXX	1200:5	0.3	0.3	0.3	0.3	0.3	2.0	1.5
CRT-3-152-XXX	1500:5	0.3	0.3	0.3	0.3	0.3	3.0	2.0
CRT-3-202-XXX	2000:5	0.3	0.3	0.3	0.3	0.3	2.0	1.5
CRT-3-252-XXX	2500:5	0.3	0.3	0.3	0.3	0.3	1.5	1.0
CRT-3-302-XXX	3000:5	0.3	0.3	0.3	0.3	0.3	1.5	1.0
CRT-3-402-XXX	4000:5	0.3	0.3	0.3	0.3	0.3	1.5	1.0
<b>DUAL-RATIO</b>								
CRT-3-601122-XXX	600:5	0.3	0.3	0.6	1.2	1.2	3.0	2.0
	1200:5	0.3	0.3	0.3	0.3	0.6	2.0	1.5
CRT-3-801162-XXX	800:5	0.3	0.3	0.3	0.6	0.6	3.0	2.0
	1600:5	0.3	0.3	0.3	0.3	0.3	2.0	1.5
CRT-3-102202-XXX	1000:5	0.3	0.3	0.3	0.3	0.6	3.0	2.0
	2000:5	0.3	0.3	0.3	0.3	0.3	2.0	1.5
CRT-3-152302-XXX	1500:5	0.3	0.3	0.3	0.3	0.6	2.0	1.5
	3000:5	0.3	0.3	0.3	0.3	0.3	1.5	1.0
CRT-3-202402-XXX	2000:5	0.3	0.3	0.3	0.3	0.3	2.0	1.5
	4000:5	0.3	0.3	0.3	0.3	0.3	1.5	1.0

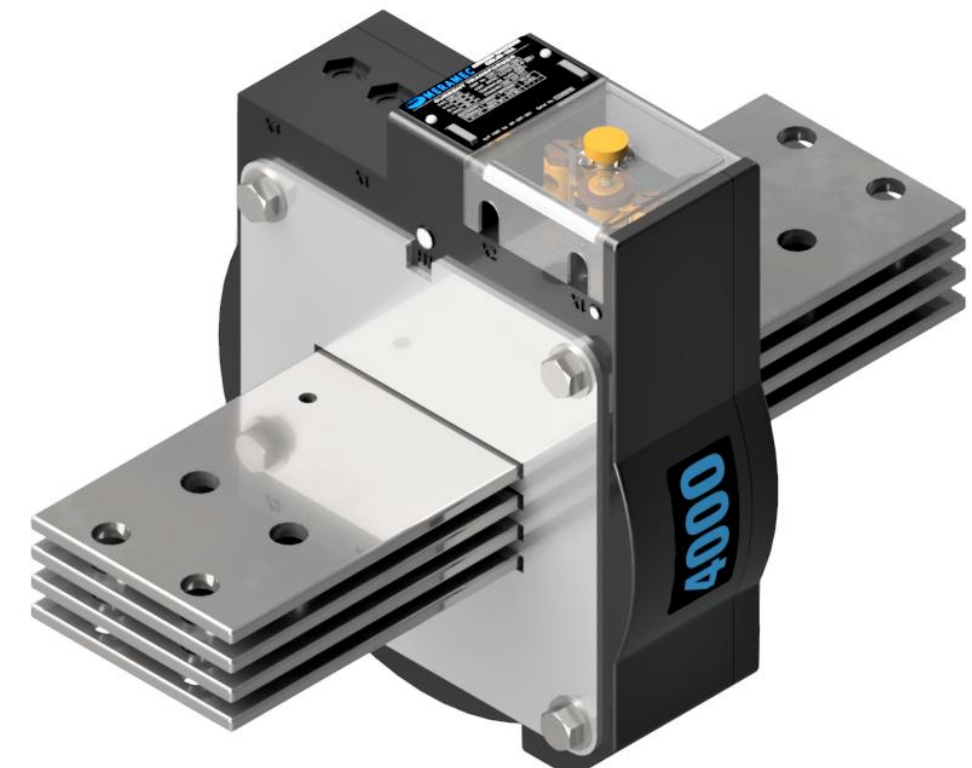
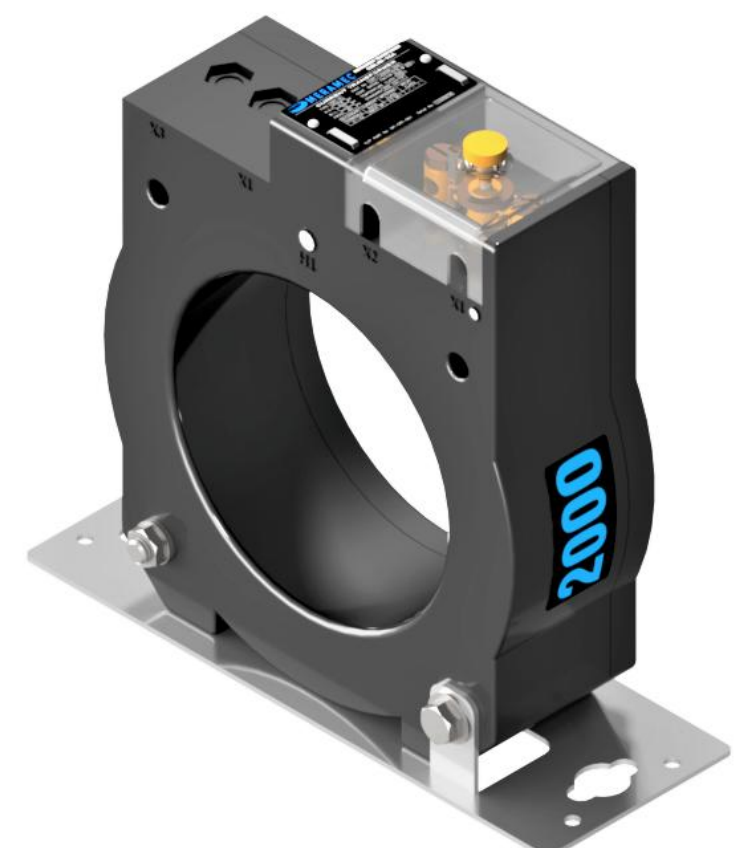
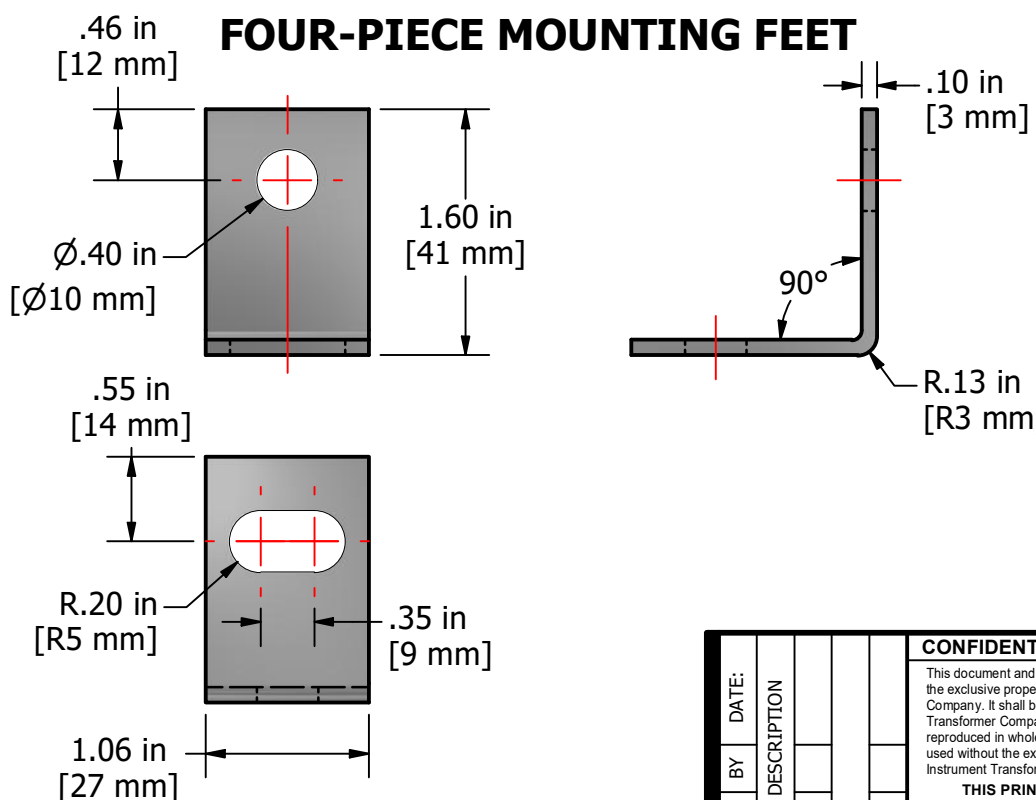
**CRT-X-XXX- X X X      SELECTION GUIDE**

- QTY OF BARS (1-4) N = NONE
- PRIMARY BAR (L = LONG BAR, S = SHORT BAR, N = NO BAR)
- BASE PLATE (B = BASEPLATE, F = MOUNTING FEET, N = NONE)
- PRIMARY CURRENT
- ACCURACY (3 = 0.3 STANDARD CLASS, 15 = 0.15 HIGH ACCURACY, 15S = 0.15S SPECIAL HIGH ACCURACY, 15E = 0.15 HIGH ACCURACY EXTENDED RANGE)

<p><b>CONFIDENTIAL and PROPRIETARY</b></p> <p>This document and the information contained herein are the exclusive property of Meramec Instrument Transformer Company. It shall be returned to Meramec Instrument Transformer Company upon request and shall not be reproduced in whole or in part, disclosed to anyone else, or used without the expressed written consent of Meramec Instrument Transformer Company.</p> <p>THIS PRINT WAS CAD GENERATED</p>		<p>TITLE: CURRENT TRANSFORMER, OUTDOOR, 600V REVENUE METERING</p> <p>TOLERANCES EXCEPT WHERE NOTED, IN [mm]</p> <p>FRACT ± 1/16" 2 PL DEC. ± 0.06 (1.52)</p> <p>ANGLE ± 1° 3 PL DEC. ± 0.005(0.127)</p> <p>DATE: 6/22/2019</p>	<p><b>MERAMEC</b></p> <p>Instrument Transformer Co.</p> <p>1 Andrews Way, Cuba, Missouri 65453</p> <p>Phone (573) 885 2521 Fax (573) 885 2543</p>
<p>REV: BY: DATE: DESCRIPTION</p>	<p>APPROVED: Jeff Harris</p>	<p>LOCATION: L:\MTHAN\Engineering\Secure\Drawings\Outline Drawings\CT's Low Voltage - Outdoor\CRT-3.dwg</p> <p>DRAWING NUMBER: CRT-3</p>	<p>DATE: 6/22/2019</p>



BAR MAX AMPS	
1950A	1 BAR
3200A	2 BAR
4200A	3 BAR
5100A	4 BAR



**OPTIONAL ACCESSORIES**

ACCESSORY	PART NUMBER
ONE-PIECE MOUNTING BASE	MTG-CRT-BS1
MOUNTING FEET (SET OF 4 WITH HARDWARE)	MTG-CRT-FT4
WINDOW PLATE (SINGLE-BAR)	WP-CRT-SB
WINDOW PLATE (MULTI-BAR)	WP-CRT-MB

**PRIMARY BAR KIT** BARS ARE .250" THICK BY 4" WIDE. WITH MULTI-BAR ASSEMBLIES, THERE IS .250" SPACING BETWEEN BARS. ASSEMBLY CAN BE MOUNTED WITH BARS HORIZONTAL OR VERTICAL.

RATIO	11.88"	14.50"
200:5-400:5A	1 BAR PBK-CRT-S1	PBK-CRT-L1
500:5-1200:5A	2 BARS PBK-CRT-S2	PBK-CRT-L2
1500:5-3000:5A	3 BARS PBK-CRT-S3	PBK-CRT-L3
4000:5A	4 BARS PBK-CRT-S4	PBK-CRT-L4

REV	DATE	DESCRIPTION	<p><b>CONFIDENTIAL and PROPRIETARY</b></p> <p>This document and the information contained herein are the exclusive property of Meramec Instrument Transformer Company. It shall be returned to Meramec Instrument Transformer Company upon request and shall not be reproduced in whole or in part, disclosed to anyone else, or used without the expressed written consent of Meramec Instrument Transformer Company.</p> <p>THIS PRINT WAS CAD GENERATED</p>	<p>TITLE: CURRENT TRANSFORMER, OUTDOOR, 600V REVENUE METERING</p> <p>TOLERANCES EXCEPT WHERE NOTED, IN (mm)</p> <p>FRACT ± 1/16" 2 PL DEC. ± 0.06 (1.52)</p> <p>ANGLE ± 1° 3 PL DEC. ± 0.05(0.127)</p> <p>DRAWN: Jeff Harris</p> <p>DATE: 6/22/2019</p> <p>APPROVED:</p>	<p>LOCATION: L:\MTHAN\Engineering\Secure\Drawings\Outline Drawings\CT's Low Voltage - Outdoor\CRT-3.dwg</p> <p>DRAWING NUMBER: <b>CRT-3</b></p>
-----	------	-------------	--	--	---

