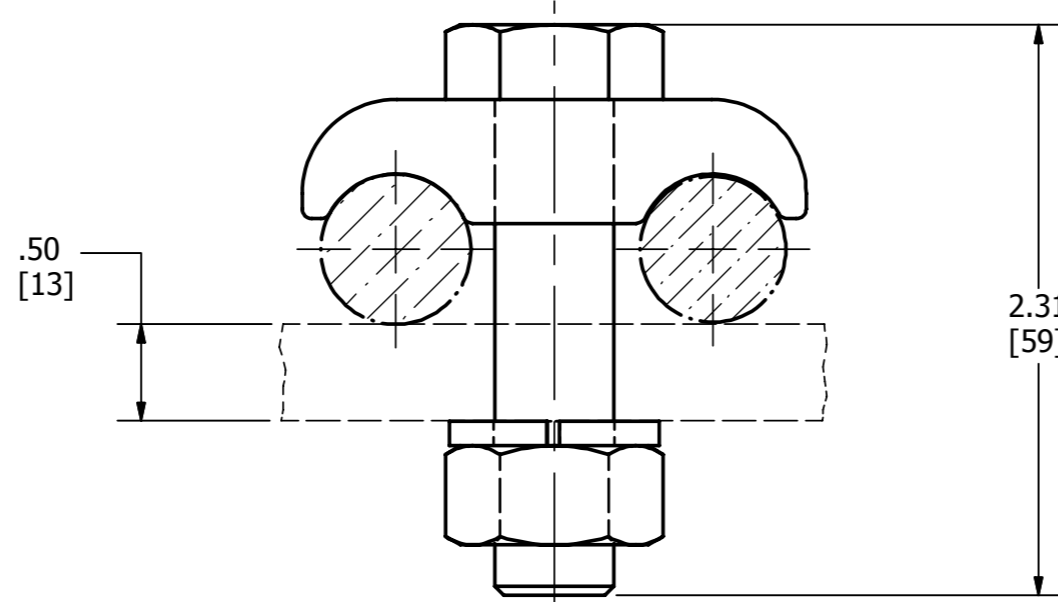
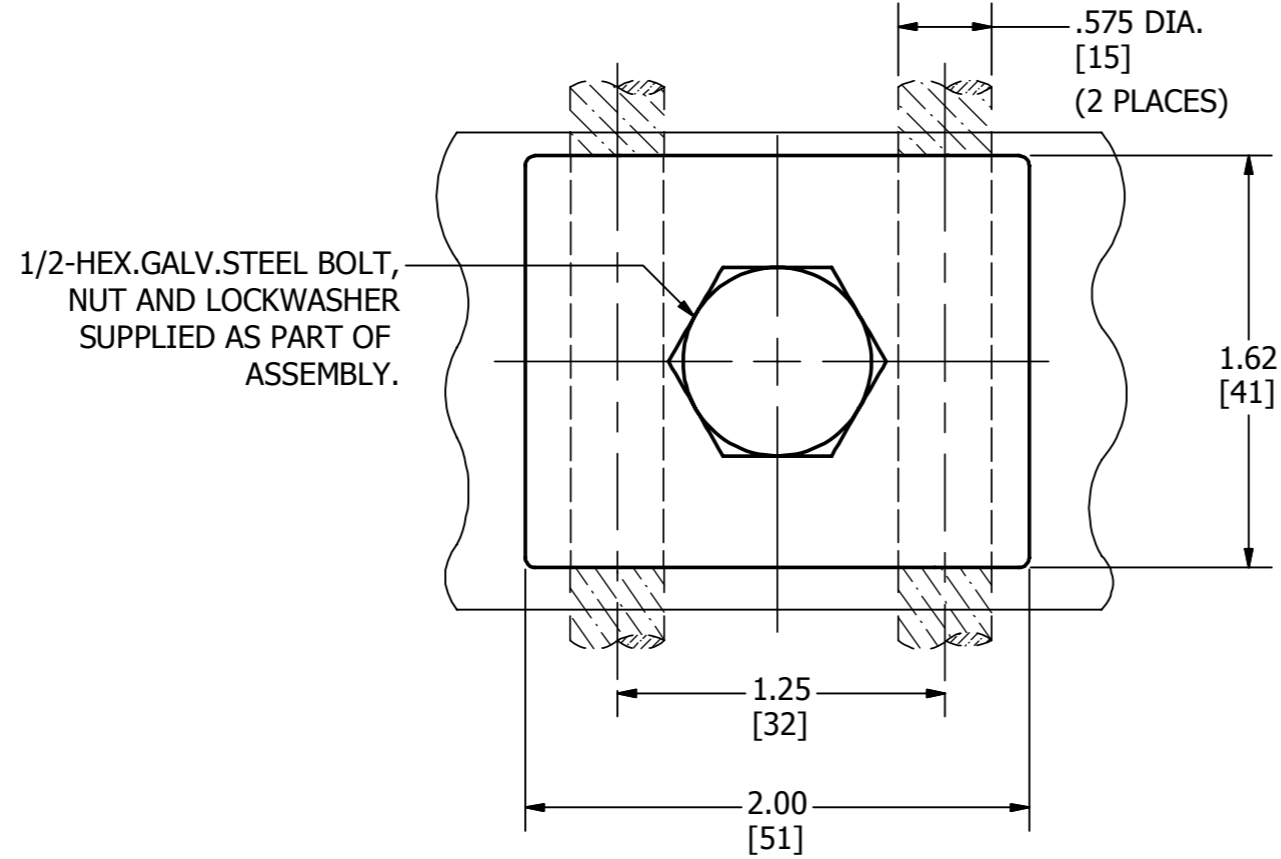


REV	DATE	DESCRIPTION	ECO	BY	C'H'K.
A	07/15/2013	NEW DRAWING CREATED FOR CAT.#GCM29CG3	32416	VS	MB



NOTES:

1. MATERIAL: CAST COPPER ALLOY
2. FINISH: BRITE DIP
3. ACCOMMODATES: (2) - 2/0 SOL.(.365 DIA.) - 250Kcmil(.575 DIA.)
4. DIMENSIONS IN BRACKETS [] ARE IN MILLIMETERS ROUNDED OFF TO THE NEAREST MILLIMETER, UNLESS OTHERWISE SPECIFIED AND ARE FOR REFERENCE ONLY.
5. NOMINAL INSTALLATION TORQUE: 480 IN-LBS [55 N-m].

TO ORDER BURNDY® PRODUCTS CALL		GROUND CONNECTOR	
UNITED STATES 1-800-346-4175 (LONDONDERRY, NH)		ITEM NO: 10058650	
CANADA: 1-800-361-6975 (QUEBEC) 1-800-387-6487 (ALL OTHER PROVINCES)		CAT. NO: GCM29CG3	
FOR PRODUCT INFO: http://www.burndy.com		DRAWN BY: vsubramanian 07/15/2013	
		CHECKER: --	
		DSN APRVL: L TROMBLEY 07/19/2013	
		MFG APRVL: --	
		QA APRVL: --	
		MKT APRVL: P THERRIEN 07/24/2013	
		PROJ FAM: --	
		PROJECT #:	DRAWING NO
		DOCUMENT TYPE: SALES	CSA012042-01
		REL LEVEL: Released	REV
		SIZE	A
		B	SHEET 1 OF 1