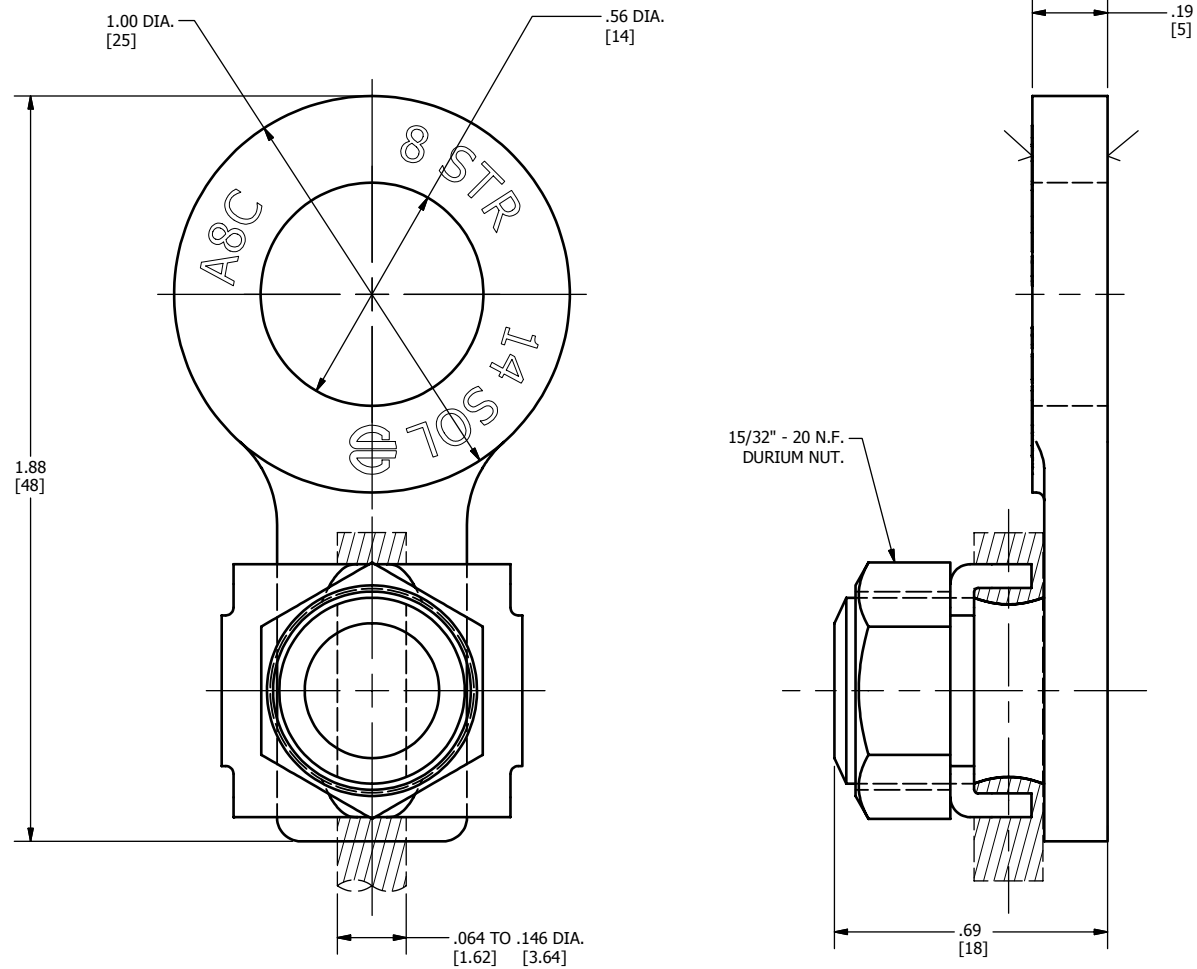


REV	DATE	DESCRIPTION	ECO	BY	C'HK.
A	03/18/2015	REDRAW TO INVENTOR	33064	LM	MB



NOTES:

1. MATERIAL: CAST COPPER ALLOY.
2. ACCOMMODATES: #14 SOL. - #8 STR. 0.064(1.62) - 0.146(3.71) DIA. COPPER CABLES.
3. DIMENSIONS IN BRACKETS [] ARE IN MILLIMETERS ROUNDED OFF TO THE NEAREST MILLIMETER, UNLESS OTHERWISE SPECIFIED AND ARE FOR REFERENCE ONLY.

TO ORDER BURNDY® PRODUCTS CALL		QIKLUG	
UNITED STATES		ITEM NO: 27004766	
1-800-346-4175 (LONDONDERRY, NH)		CAT. NO: QDA8CCG7	
CANADA:		DRAWN BY: LOKESH, M	03-18-15
1-800-361-6975 (QUEBEC)		CHECKER: MANIKANDAN, B	03-19-15
1-800-387-6487 (ALL OTHER PROVINCES)		DSN APRVL: --	
FOR PRODUCT INFO: http://www.burndy.com		MFG APRVL: --	
		QA APRVL: --	
		MKT APRVL: --	
		PROD FAN: --	
		PROJECT #: --	
		DOCUMENT TYPE: SALES	
		REL LEVEL: Released	
		SIZE: B	
		DRAWING NO: CSA026143-01	REV: A
		SHEET 1 OF 1	