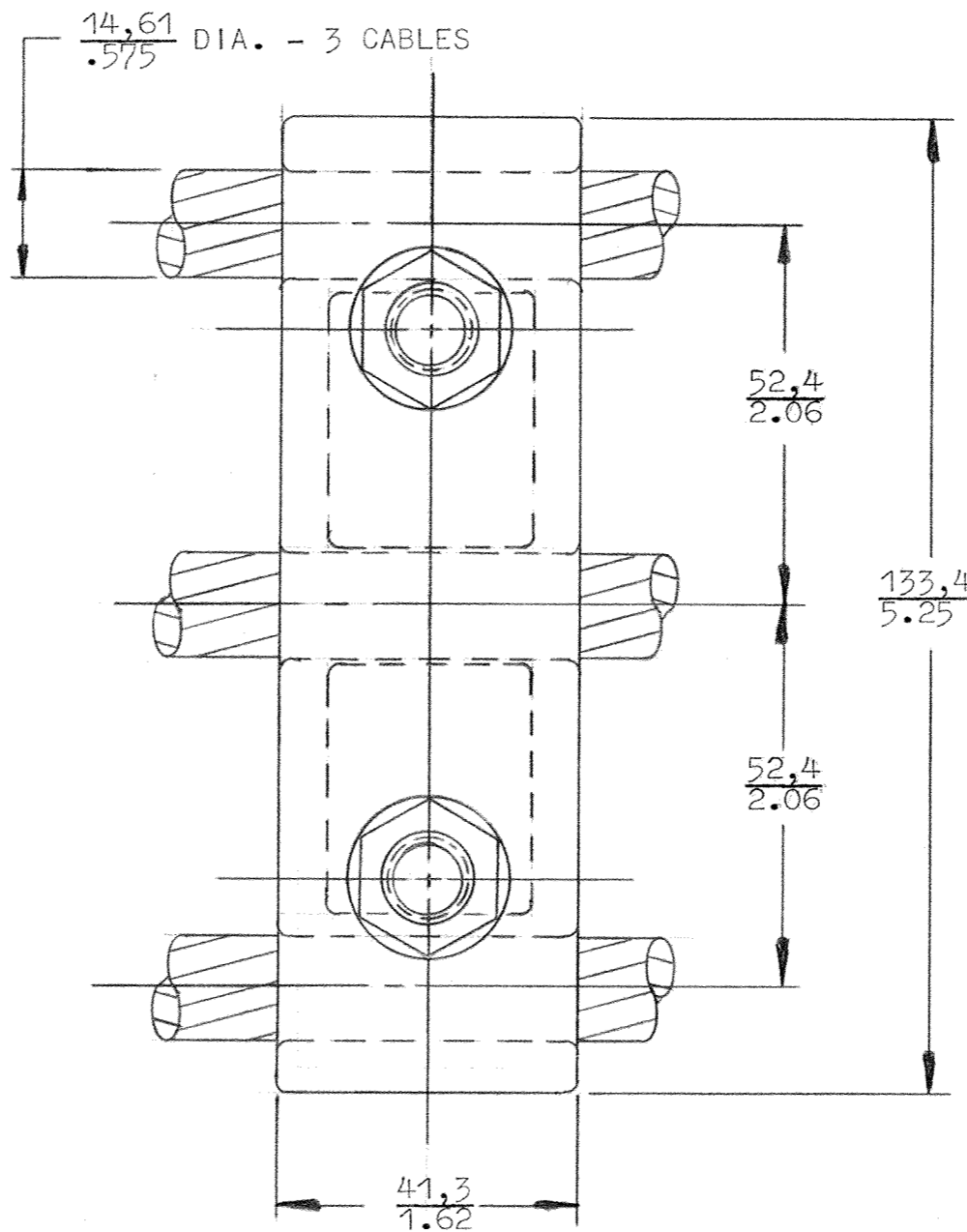
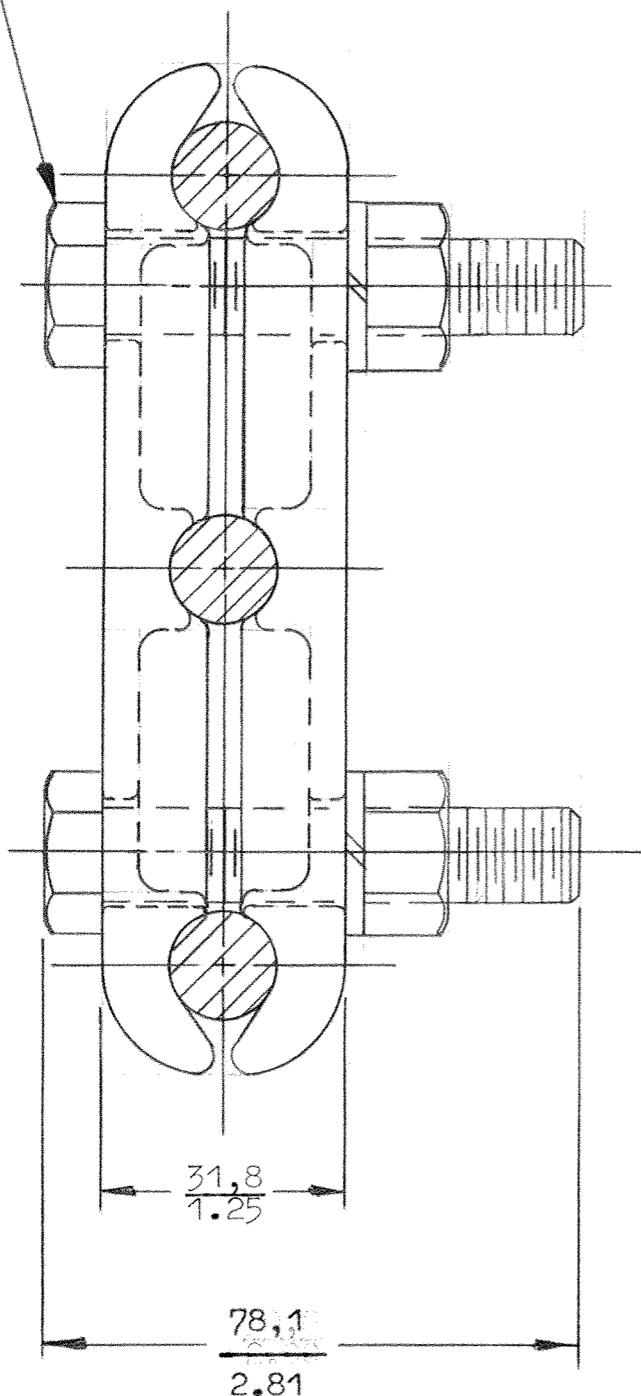


(2) 1/2" HEX. GALVANIZED STEEL BOLTS, NUTS AND SPLIT GALVANIZED STEEL LOCKWASHERS.



MATERIAL:

CAST COPPER ALLOY

ACCOMMODATES:

2/0 SOL. 9,27 (.365) DIA. -
250 MCM 14,61 (.575) DIA.
CABLES.

NOMINAL BOLT TORQUE INSTALLATION:

240 IN. LBS. FOR 1/2" STEEL HDWR.

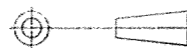
ONT. HYDRO STOCK CODE No.:

721-1797:6

COPYRIGHT, BURNDY CANADA LTD. 19 75

THIS DRAWING IS DUAL DIMENSIONED
ALL DIMENSIONS IN MILLIMETERS AND
INCHES EG. $\frac{25.4 \text{ MM}}{1.00 \text{ INCH}}$ OR 25.4 MM. (1.00 INCH)
ORIGINAL DESIGN BASED ON INCH SYSTEM

THIRD ANGLE
PROJECTION



REV.	DATE	REVISION DESCRIPTION	BY	C'K'D.
1	12/18/75	ONT. HYDRO STOCK CODE No. ADDED	G.F.	

GROUND CONNECTOR	
TYPE GK1829 CG1	SCALE FULL SIZE
DRAWN C.D.S. 3/27/75	CHECKED PJS 3-31-75
DWG. No. CSC18465	REV. 1

APPROVED BY: *[Signature]* 4/1/75
Hugh Seadale 4/1/75