

MATERIAL:
HIGH STRENGTH ALUMINUM ALLOY

ACCOMMODATES:
3/0 ASC COMP. - 556.5 ASC
10.87 (.428) DIA. - 21.79 (.858) DIA.

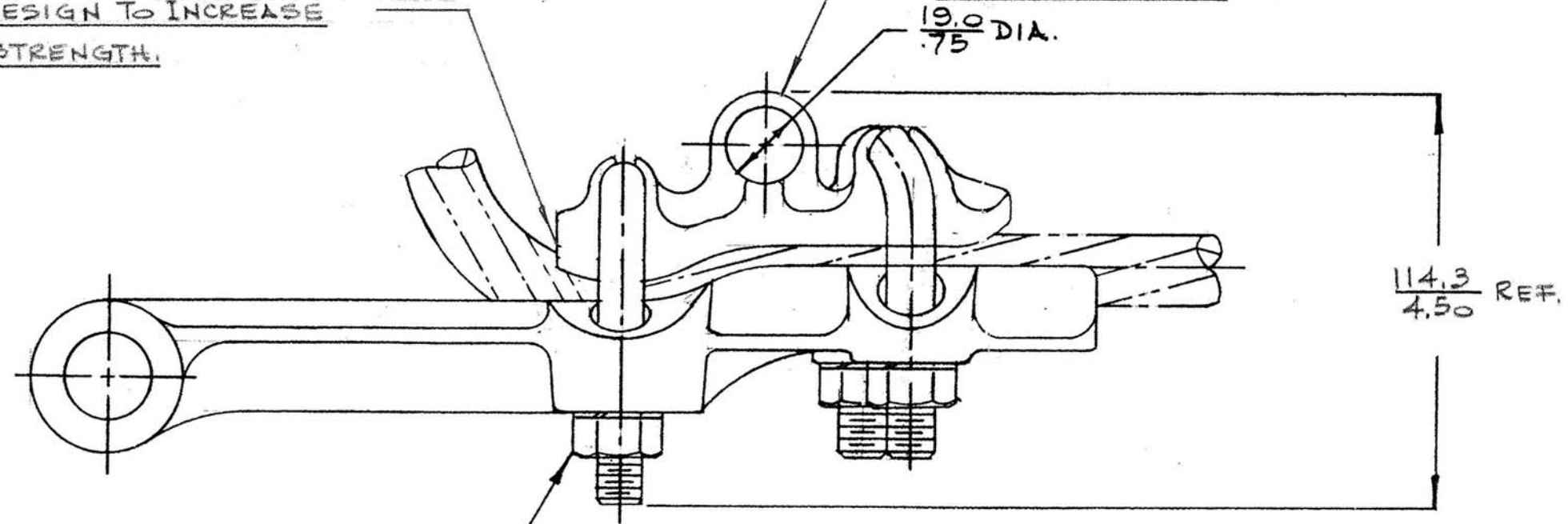
MECHANICAL TEST DATA TO
CSA-C83.71 - M1985

BURNDY TEST REPORT CTD692A
SYNOPSIS

- PULL-OUT STRENGTH 36KN (8094 LB)
- NO CABLE STRAND RUPTURE.
- CONDUCTOR SLIP STRENGTH MINIMUM. SMALLEST CONDUCTOR 15KN (3372 LBS) LARGEST CONDUCTOR 20KN (4496 LBS)
- PULLING EYE MINIMUM 20KN (4496 LBS)

COPYRIGHT. BURNDY INC. 1987.

SPECIAL DESIGN TO INCREASE HOLDING STRENGTH.



(3) 1/2" DIA. GALVANIZED STEEL U-BOLTS HEX. NUTS AND SPLIT LOCKWASHERS

THIS DRAWING IS DUAL DIMENSIONED ALL DIMENSIONS IN MILLIMETERS AND INCHES EG. 25.4 MM OR 25.4 MM. (1.00 INCH) ORIGINAL DESIGN BASED ON INCH SYSTEM



REV.	DATE	REVISION DESCRIPTION	BY	C'K'D.
1	5/1/87	TEST DATA & NOTES ADDED	G.F.	ll

DEADEND CLAMP		SCALE
TYPE CUW 556 AE		7/5
DRAWN G.F. 2/19/87	CHECKED	
BURNDY 1630 BACHMOUNT ROAD, SCARBORO, ONTARIO		DWG. No.
		CSC29696
		REV. 1

APPROVED BY: CERA 2/24/87