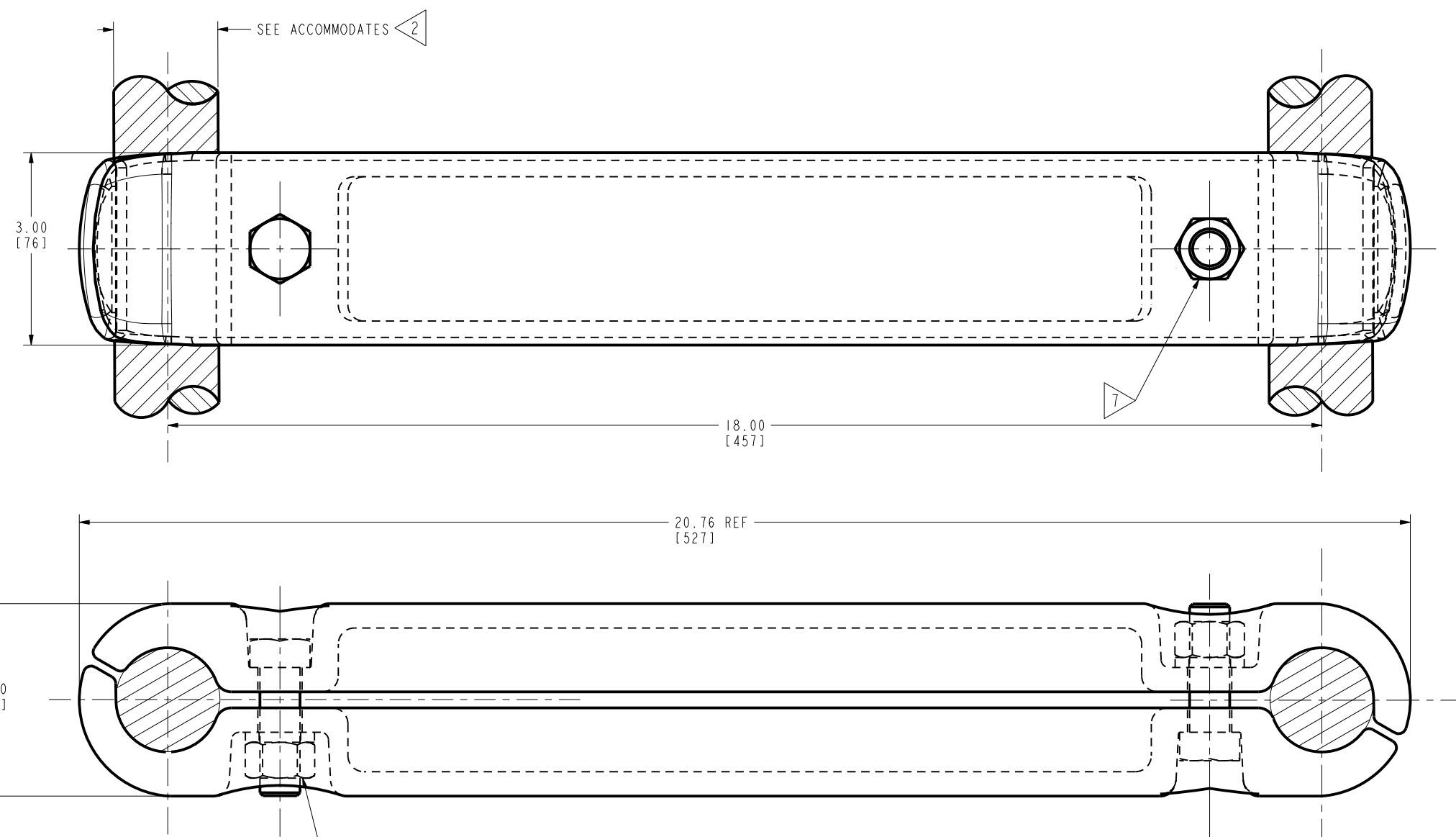


DRAWING NO.
CSC013121-01

REV	DATE	DESCRIPTION	ECO	BY	C'H'K.
A	3/23/2011 12:00:00 AM	CREATE SALES DRAWING FOR S2R59ACG2 - #27017906	23781	BR	NJ



NOTES:

- 1 MATERIAL:
CAST ALUMINUM ALLOY
- 2 ACCOMMODATES:
(2) 1843.2 Kcmil (1.600[41]) DIA
ACSR CABLES SPACED 18" CENTRES
- 3 NOMINAL BOLT INSTALLATION TORQUE:
5/8" GALVANIZED STEEL HARDWARE - 660 LB-IN [75 Nm]
- 4 DIMENSIONS IN BRACKETS [] DENOTES METRIC UNITS [SI UNITS]
AND ARE ROUNDED TO THE NEAREST WHOLE NUMBER. UNLESS
OTHERWISE SPECIFIED THESE UNITS SHALL BE USED FOR
REFERENCE ONLY.
- 5 PENETROX™ NOTE: SCRATCH BRUSH CONNECTOR CONTACT SURFACE DRY,
THEN APPLY PENETROX A. PENETROX CAN BE PURCHASED FROM BURNDY
LLC, USA. INC. IN CANS OR PLASTIC SQUEEZE BOTTLES.
- 6 THE CONCEPT SHOWN INCORPORATES PRINCIPLES WHICH PERMIT OPERATION
AT A VOLTAGE GRADIENT NORMALLY ASSOCIATED WITH 735KV RMS
OPERATION PHASE TO PHASE.
- 7 HEX BOLTS CAPTURED TO PREVENT TURNING DURING INSTALLATION.
- 8 MARKING:
BURNDY
S2R59RCG2
(2) 1843.2 Kcmil (1.600 DIA) ACSR
450 KVDC

5/8-HEX GALV. STEEL BOLTS, NUTS AND SPLIT LOCKWASHERS
(2 PLACES).

TO ORDER BURNDY® PRODUCTS CALL UNITED STATES 1-800-346-4175 (LONDONDERRY, NH) CANADA: 1-800-361-6975 (QUEBEC) 1-800-387-6487 (ALL OTHER PROVINCES) FOR PRODUCT INFO: http://www.burndy.com		STREAMLINED RIGID SPACER, EHV ITEM NO: 27017906 CAT. NO: S2R59RCG2	
		DRAWN BY: BHARATHIRAJA 03/23/11 CHECKER: J SUDHAKAR 03/23/11 DSN APPVL: R LAVOIE 04/04/11 MFG APPVL: -- -- QA APPVL: J HILLMAN 04/01/11 MKT APPVL: V TORRES 03/31/11	
PROJECT #: -- DOCUMENT TYPE: Sales REL LEVEL: Released		SCALE: 1:1 DRAWING NO: CSC013121-01 SHEET 1 OF 1	

REV: PEO200