

DRAWING NO.
CSC015144-01

ITEM NUMBER	CATALOG NUMBER	FIG. NO.	ACCOMMODATES	A	B	C	D	J	HARDWARE MATERIAL	MARKING
27009536	S2R46ACG1	1	1590 Kcmil (1.453 [37] DIA.) ASC	5.88 [149]	2.00 [51]	4.00 [102]	2.80 [71]	1/2-13	STAINLESS STEEL BOLT, SPLIT LOCK WASHER AND SILICON BRONZE NUT	BURNDY S2R46ACG1 1590 Kcmil ASC
30015575	S2R46ACG5	2	1272 Kcmil (1.382 [35] DIA.) ACSR	7.70 [196]	2.00 [51]	6.00 [152]	2.56 [65]	1/2-13	GALVANIZED STEEL BOLT, NUT WITH SPLIT LOCK WASHER	BURNDY S2R46ACG5 1272 Kcmil ACSR

REV	DATE	DESCRIPTION	ECO	BY	C'H'K.
B	12/15/2011 00:00:00 AM	ADDED VIEW FOR CAT. # S2R46ACG5	26349	VV	NJS

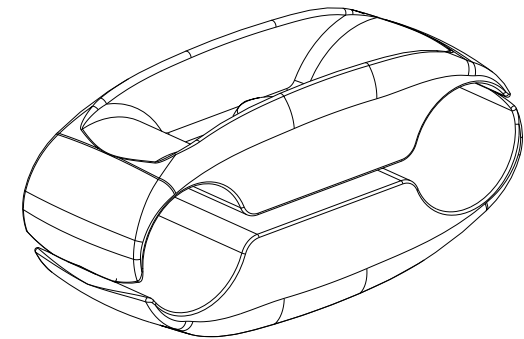
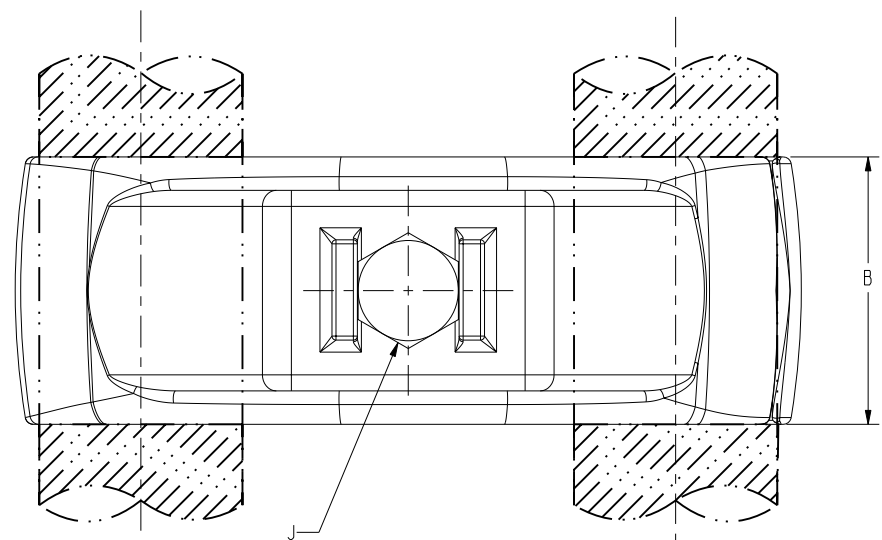


FIG. 1

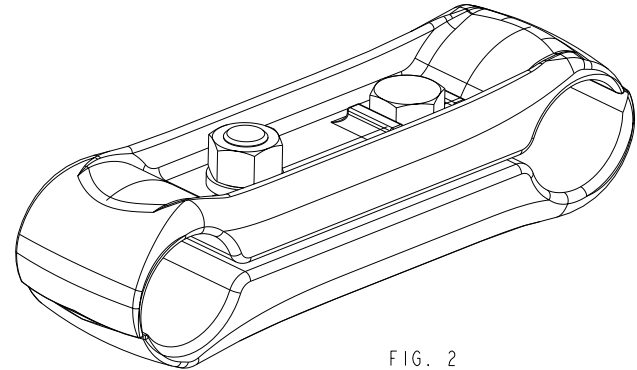
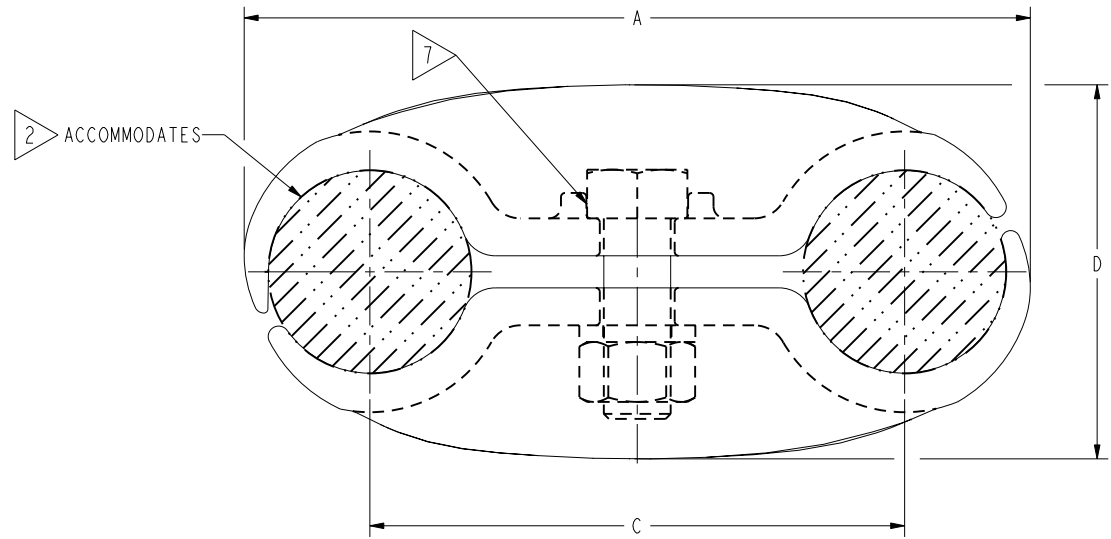


FIG. 2

NOTES:

- MATERIAL:
CAST ALUMINUM ALLOY
- ACCOMMODATES:
SEE TABLE
- NOMINAL BOLT INSTALLATION TORQUE:
1/2" STAINLESS STEEL HARDWARE - 480 LB-IN [55 Nm]
1/2" GALVANIZED STEEL HARDWARE - 480 LB-IN [55 Nm]
- DIMENSIONS IN BRACKETS [] DENOTES METRIC UNITS [SI UNITS]
AND ARE ROUNDED TO THE NEAREST WHOLE NUMBER. UNLESS
OTHERWISE SPECIFIED THESE UNITS SHALL BE USED FOR
REFERENCE ONLY.
- PENETROX™ NOTE: SCRATCH BRUSH CONNECTOR CONTACT SURFACE DRY,
THEN APPLY PENETROX™ A. PENETROX™ CAN BE PURCHASED FROM BURNDY
LLC, USA, INC. IN CANS OR PLASTIC SQUEEZE BOTTLES.
- THE CONCEPT SHOWN INCORPORATES PRINCIPLES WHICH PERMIT OPERATION
AT A VOLTAGE GRADIENT NORMALLY ASSOCIATED WITH 230 KV RMS
OPERATION PHASE TO PHASE.
- HEX BOLTS CAPTURED TO PREVENT TURNING DURING INSTALLATION.

TO ORDER BURNDY® PRODUCTS CALL		RIGID SPACER	
UNITED STATES 1-800-346-4175 (LONDONDERRY, NH)		ITEM NO: 27009536	CAT. NO: S2R46ACG1
CANADA: 1-800-361-6975 (QUEBEC) 1-800-387-6487 (ALL OTHER PROVINCES)		DRAWN BY: V VINOCH 05/14/11	CHECKER: R LAVOIE 05/19/11
FOR PRODUCT INFO: http://www.burndy.com		DSN APPVL: R LAVOIE 12/20/11	MFG APPVL: G KELLY 01/04/12
		QA APPVL: J HILLMAN 12/20/11	MKT APPVL: V TORRES 01/09/12
		PROJ #: --	SCALE: 3:2
		DOCUMENT TYPE: Sales	DRAWING NO: CSC015144-01
		REL LEVEL: Released	SHEET 1 OF 1

REV: PE0200