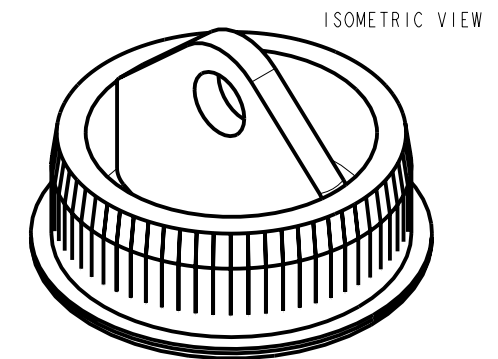
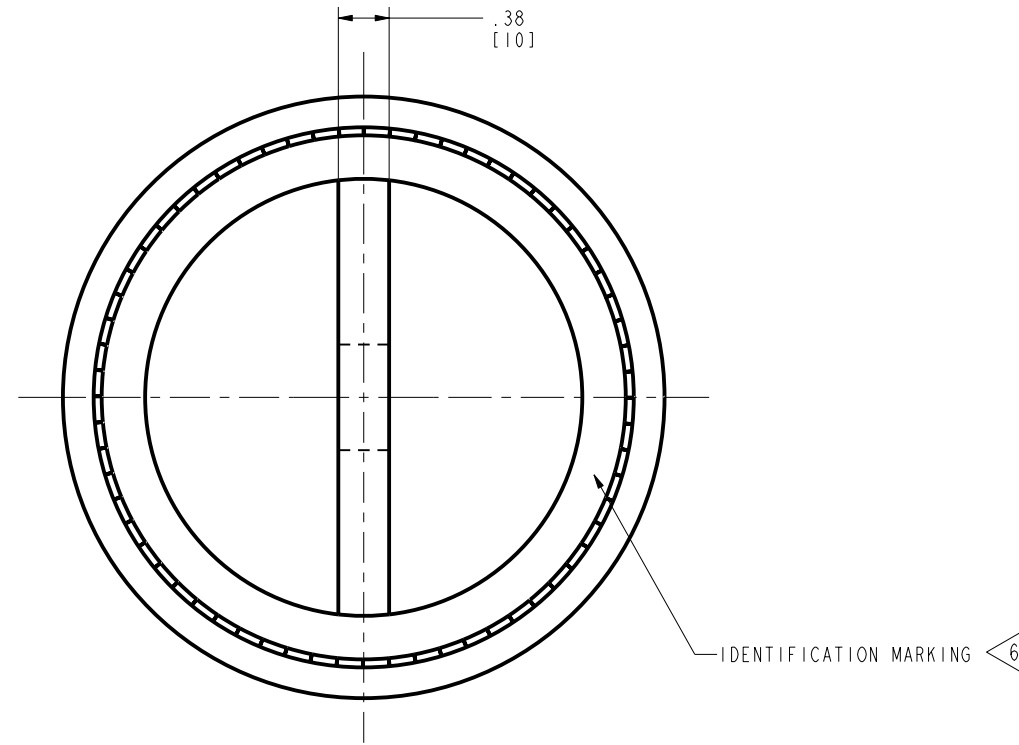
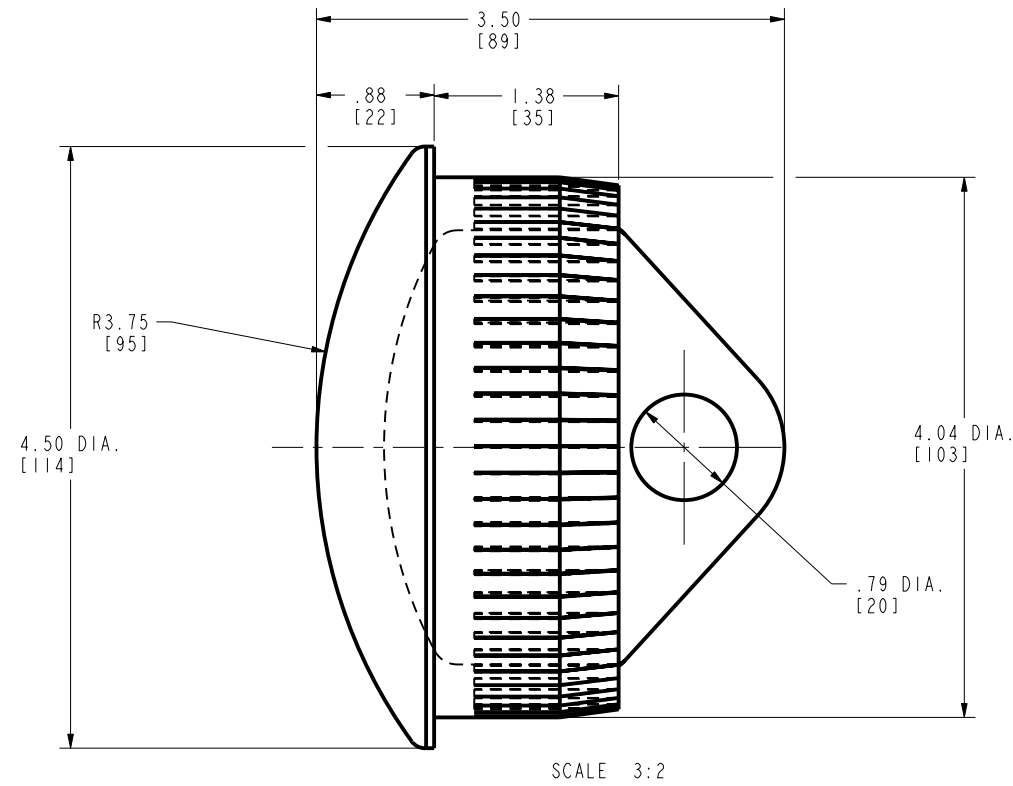


DRAWING NO.
CSC018515-01

REV	DATE	DESCRIPTION	ECO	BY	C'H'K.
A	10/27/2010 12:26:00 AM	DEFINED KNURLING OPERATION, REDRAWN SALS DRW PS1R 101157	22538	NJS	RL



NOTES:

- MATERIAL:
CAST ALUMINUM ALLOY
 - ACCOMMODATES:
4" IPS ALUM. (4.500) [114] DIA.
 - ENTIRE SURFACE IS RIBBED AND SLOPED TO ACCOMMODATE BUS
I.D. MIN. 4.03 [102] AND MAX. 4.04 [103]
 - DIMENSIONS IN BRACKETS [] DENOTES METRIC UNITS [SI UNITS] AND
ARE ROUNDED TO THE NEAREST WHOLE NUMBER. UNLESS OTHERWISE
SPECIFIED THESE UNITS SHALL BE USED FOR REFERENCE ONLY.
 - THE CONCEPT SHOWN INCORPORATES DESIGN PRINCIPLES
WHICH PERMIT OPERATION AT A VOLTAGE GRADIENT NORMALLY
ASSOCIATED WITH 230 KV RMS OPERATION PHASE TO PHASE.
- 6 MARKING:
BURNDY
LB22ACG4
4" IPS ALUM.
RIV 200-230
- 7 B.C.H. STOCK NO: 389-8820

230KV DESIGN

TO ORDER BURNDY® PRODUCTS CALL		INTERNAL CORONA BELL, EHV	
UNITED STATES 1-800-346-4175 (LONDONDERRY, NH)		ITEM NO: --	
CANADA: 1-800-361-6975 (QUEBEC) 1-800-387-6487 (ALL OTHER PROVINCES)		CAT. NO: LB22ACG4	
FOR PRODUCT INFO: http://www.burndy.com		DRAWN BY: NJ SUDHAKAR 10/29/10	
		CHECKER: R LAVOIE 11/05/10	
		DSN APPVL: R LAVOIE 11/05/10	
		MFG APPVL: G KELLY 11/04/10	
		QA APPVL: J HILLMAN 11/04/10	
		MKT APPVL: --	
		SCALE: 1:1	
		PROJ FAM: SUBSTATOIN	
		DRAWING NO	
		CSC018515-01	
		SHEET 1 OF 1	
		REV	
		A	

REV: PE0200