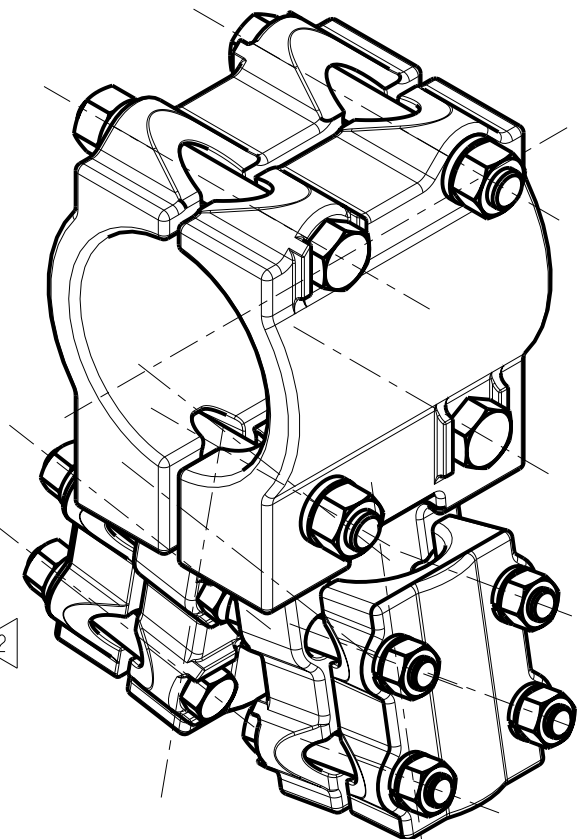
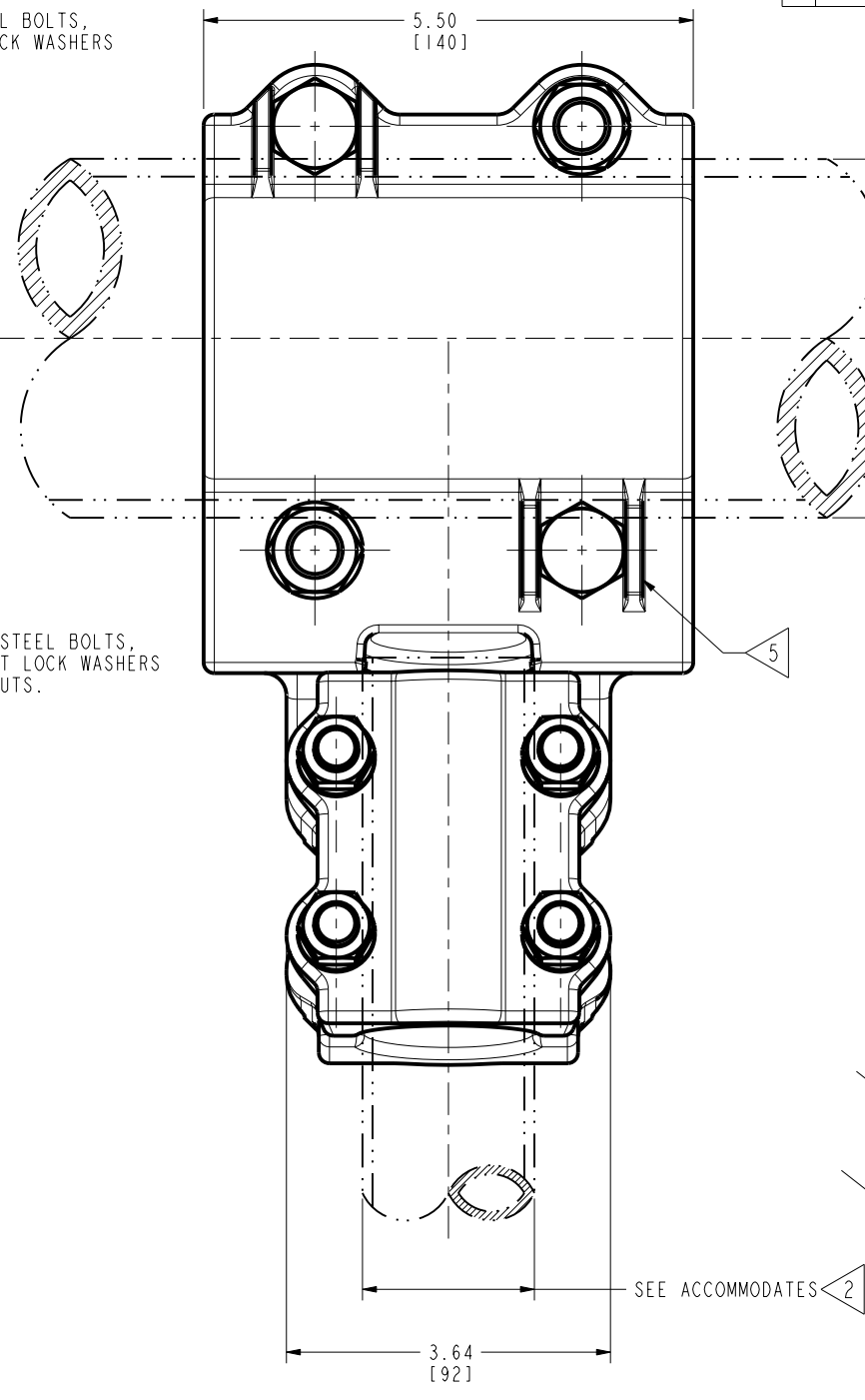
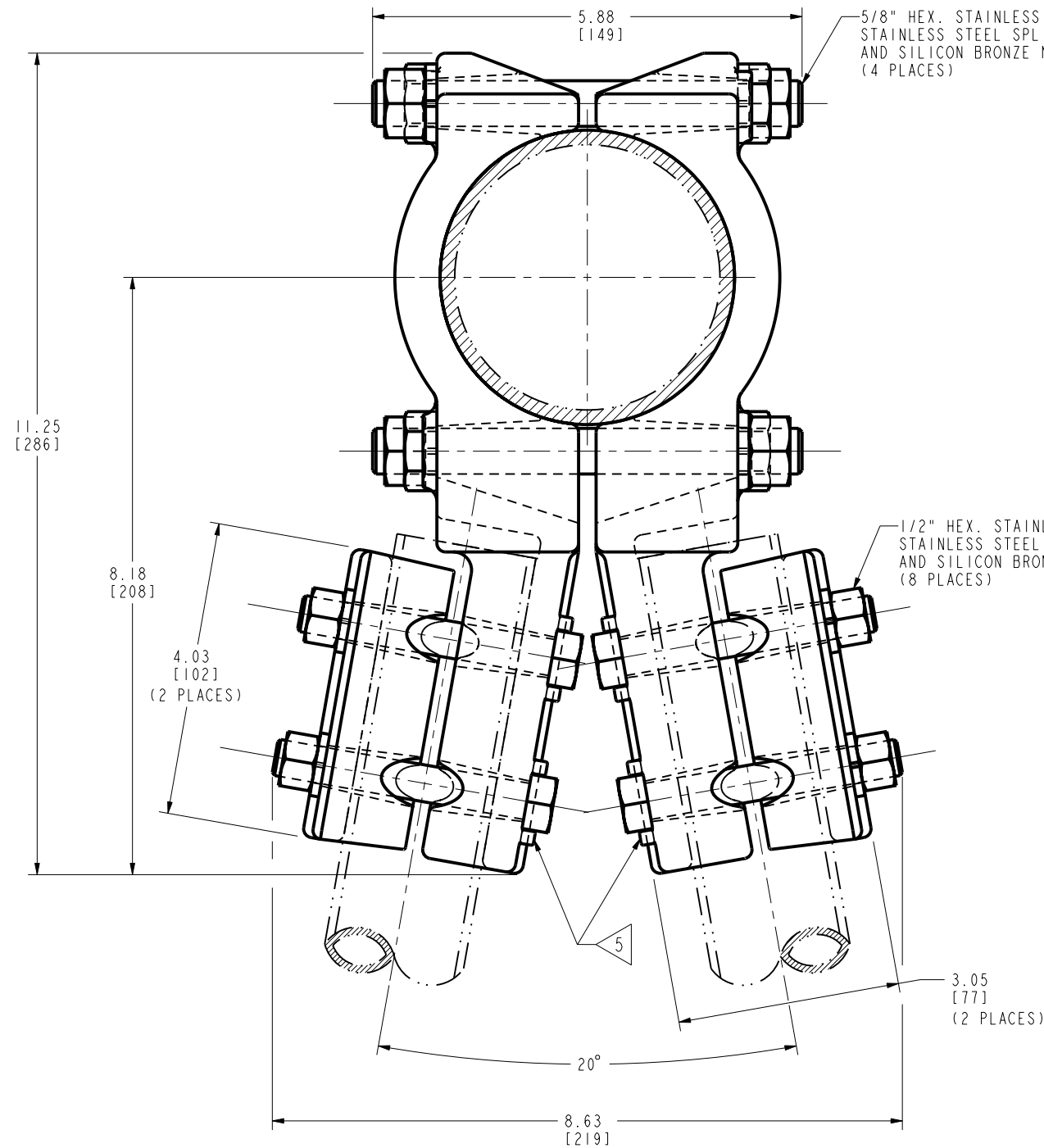


REV	DATE	DESCRIPTION	ECO	BY	C'H'K.
A	5/19/2011 12:00:00 AM	CREATED NEW DRAWING	24442	MK	NJS



ISOMETRIC VIEW

NOTES:

- 1 MATERIAL:
BODY AND CAP: CAST ALUMINUM ALLOY
- 2 ACCOMMODATES:
RUN: 3 1/2" IPS (4.000 [102] DIA) ALUM TUBE.
TAP: (2) 1 1/2" IPS (1.901 [48] DIA) ALUM TUBE.
- 3 NOMINAL BOLT INSTALLATION TORQUE:
5/8" HEX. STAINLESS STEEL HARDWARE 660 IN-LBS [75 Nm].
1/2" HEX. STAINLESS STEEL HARDWARE 480 IN-LBS [55 Nm].
- 4 DIMENSIONS IN BRACKETS [] DENOTES METRIC UNITS [SI UNITS]
AND ARE ROUNDED TO THE NEAREST WHOLE NUMBER. UNLESS
OTHERWISE SPECIFIED THESE UNITS SHALL BE USED FOR
REFERENCE ONLY.
- 5 HEX BOLTS CAPTURED TO PREVENT TURNING DURING INSTALLATION.
- 6. PENETROX™ NOTE:
SCRATCH BRUSH CONNECTOR CONTACT SURFACE DRY, THEN APPLY
PENETROX™ A. PENETROX™ CAN BE PURCHASED FROM BURNDY LLC,
USA, INC. IN CANS OR PLASTIC SQUEEZE BOTTLES.
- 7 MARKING:
BURNDY
AT21ACG1

TO ORDER BURNDY® PRODUCTS CALL UNITED STATES 1-800-346-4175 (LONDONDERRY, NH) CANADA: 1-800-361-6975 (QUEBEC) 1-800-387-6487 (ALL OTHER PROVINCES) FOR PRODUCT INFO: http://www.burndy.com		ANGLE 'T' CONNECTOR	
		ITEM NO: 27000230 CAT. NO: AT21ACG1	
DRAWN BY: KATHIR M 5/19/11 CHECKER: NJ SUDHAKAR 5/19/11 DSN APPVL: R LAVOIE 6/02/11 MFG APPVL: -- -- QA APPVL: J HILLMAN 6/02/11 MKT APPVL: V TORRES 6/02/11			
PROD FAM: SUBSTATION PROJECT #: -- DOCUMENT TYPE: Sales REL LEVEL: Released		SCALE: 1:1 DRAWING NO: CSC022630-01 SHEET 1 OF 1	

REV: PE0200