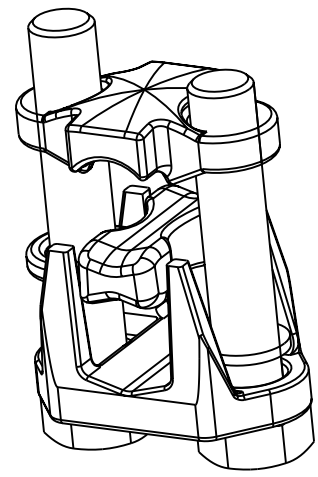
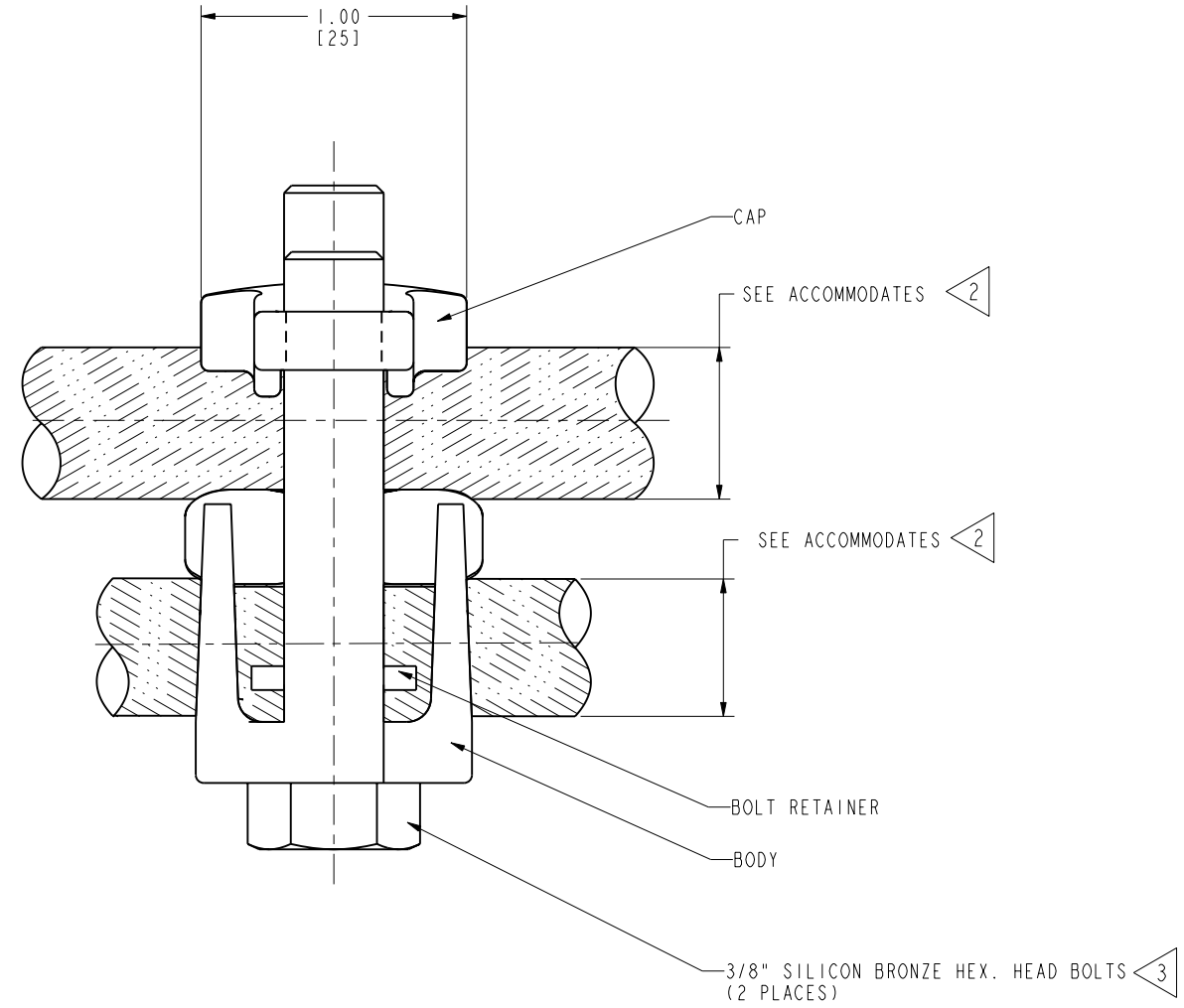
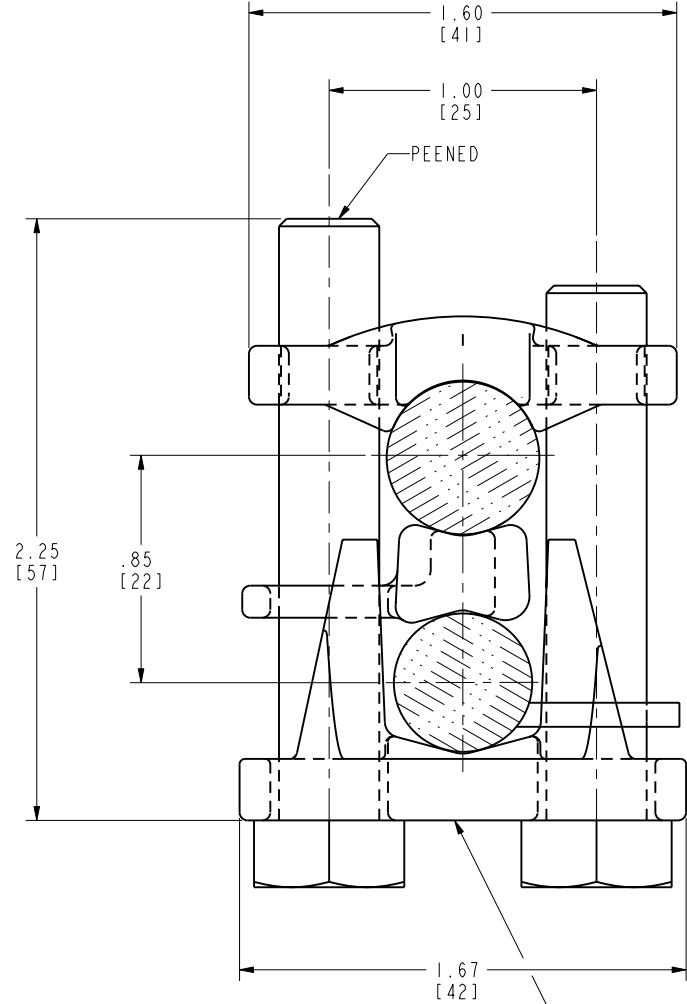


REV	DATE	DESCRIPTION	ECO	BY	C'H'K.
A	4/29/2010 12:00:00 AM	CREATE DOCUMENTATION FOR CAT# KVS28CG1	20937	BK	NJ



ISOMETRIC VIEW



IDENTIFICATION LETTERING

NOTES:

- 1 MATERIAL:
BODY & CAP: CAST COPPER ALLOY.
- 2 ACCOMMODATES:
RUN: 4/0 .528"[13] DIA. TO 1/0 .375"[10] DIA. CU. CABLES
TAP: 8 STR .146"[4] DIA. TO 4/0 .528"[13] DIA. CU. CABLES
- 3 NOMINAL INSTALATION TORQUE:
240 LBS-IN [27Nm] FOR 3/8-16 HEX. SILICON BRONZE HARDWARE
- 4 DIMENSIONS IN BRACKETS [] DENOTES METRIC UNITS [SI UNITS]
AND ARE ROUNDED TO THE NEAREST WHOLE NUMBER. UNLESS
OTHERWISE SPECIFIED THESE UNITS SHALL BE USED FOR
REFERENCE ONLY.
- 5 ENGINEERING REQUIREMENT: ASSEMBLIES ARE TO BE MADE WITH THREE
THREAD BOLT ENGAGEMENT.

REFERENCES:
ONT. HYDRO CODE NO. 721-1384:6

TO ORDER BURNDY® PRODUCTS CALL UNITED STATES 1-800-346-4175 (LONDONDERRY, NH) CANADA: 1-800-361-6975 (QUEBEC) 1-800-387-6487 (ALL OTHER PROVINCES) FOR PRODUCT INFO: http://www.burndy.com		SERVICE CONNECTOR	
		ITEM NO: --	SCALE: 3:1
CAT. NO: KVS28CG1		DRAWN BY: BAKKIYARAJ K 04/29/10	
CHECKER: SUDHAKAR NJ 04/30/10		DSN APPVL: W ZAHLMAN 06/30/10	
MFG APPVL: G KELLY 07/01/10		QA APPVL: J HILMAN 07/01/10	
MKT APPVL: --		PROJ #: --	
PROJ #: --		SIZE: D	DRAWING NO: CSC023734-01
DOCUMENT TYPE: Sales		REV: A	SHEET 1 OF 1
REL LEVEL: Released			

REV: PE0200