

DRAWING NO.
CSC032499

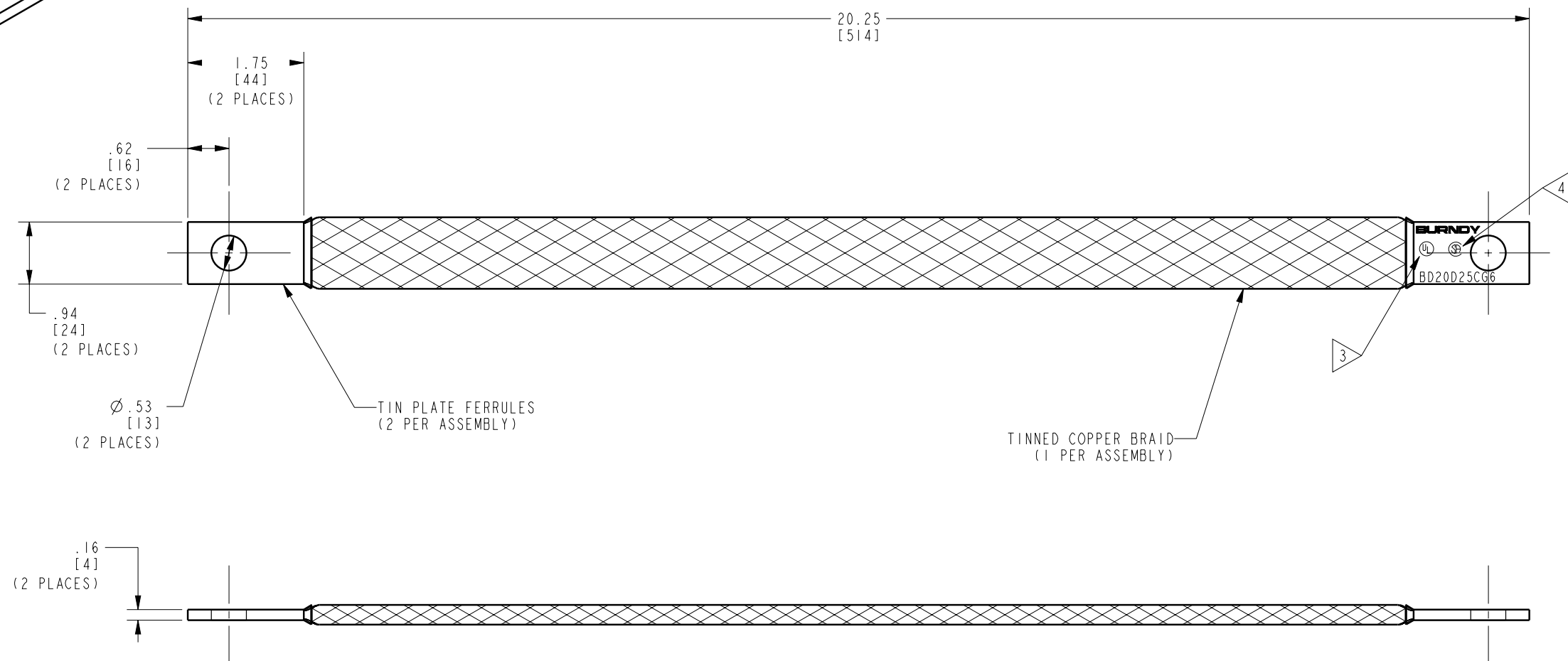
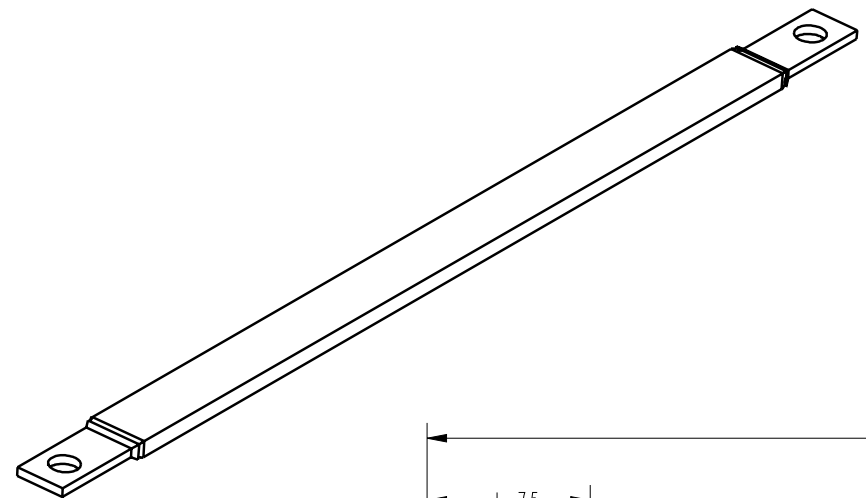
4

3

2

1

REV	DATE	DESCRIPTION	ECO	BY	C'H'K.
B	2019-06-07 13:45:00 EDT	CATALOG NO. UPDATED	51570	WP	JV



NOTES:

- DIMENSIONS IN BRACKETS [] ARE IN MILLIMETERS ROUNDED OFF TO THE NEAREST MILLIMETER, UNLESS OTHERWISE SPECIFIED, AND ARE FOR REFERENCE ONLY.
- APPROXIMATE AMP RATING: 190A INDOOR, 225 OUTDOOR
THIS MAY VARY WITH AMBIENT CONDITIONS, ORIENTATION OF THE BRAID AND OTHER SERVICE CONDITIONS.
- 'UL' SYMBOL FOR INTERNAL SPECIFICATION L4219, LOCATION AND SIZE TO BE DETERMINED BY MANUFACTURING.
- 'CSA' SYMBOL PER INTERNAL SPECIFICATION L4591, LOCATION AND SIZE TO BE DETERMINED BY MANUFACTURING.

TO ORDER BURNDY® PRODUCTS CALL
 UNITED STATES:
 1-800-346-4175 (LONDONDERRY, NH)
 CANADA:
 1-800-361-6975 (QUEBEC)
 1-800-387-6487 (ALL OTHER PROVINCES)
 FOR PRODUCT INFO: <http://www.burndy.com>

BRAID, FLEXIBLE	
ITEM NO: 27000738	
CAT. NO: BD20D25CG6	
DRAWN BY: R. BOISVERT	03/29/10
CHECKER: J. PARKER	03/29/10
DSN APPVL: J. PARKER	03/23/10
MFG APPVL: D. FAN	03/23/10
QA APPVL: J. BRODEUR	03/25/10
MKT APPVL: L. LEAVITT	03/23/10
SCALE: 3:4	
PROD FAM: --	DRAWING NO
PROJECT #: FPN1906005	SIZE
DOCUMENT TYPE: SALES	C
REL LEVEL: Released	B



REV: PE0200

4

3

2

1