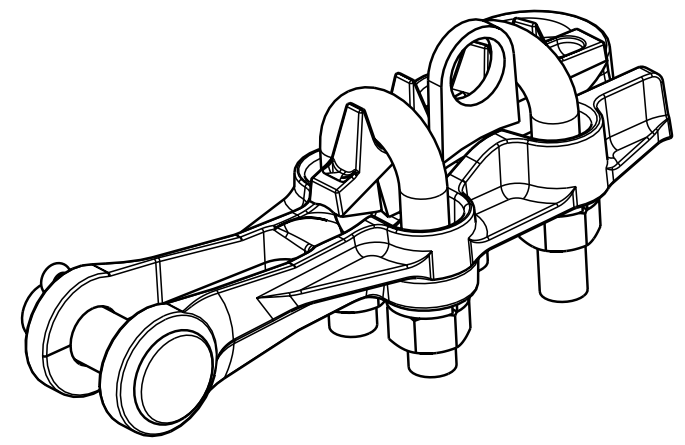
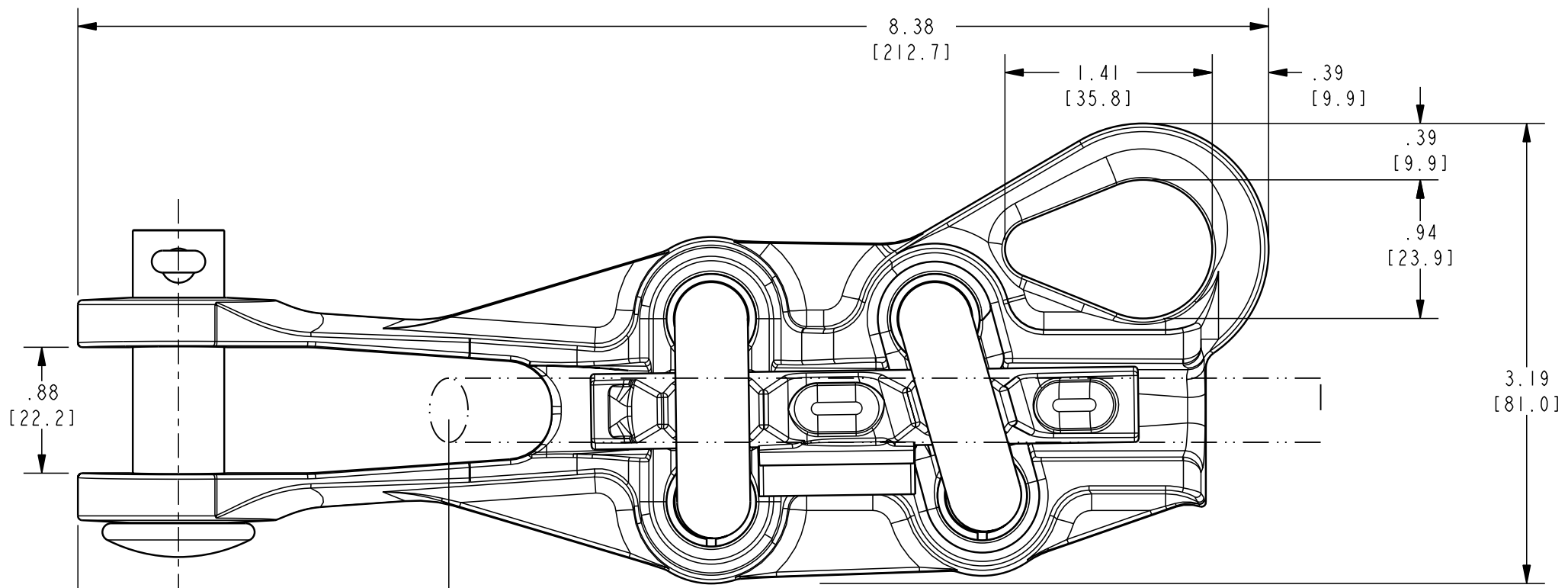
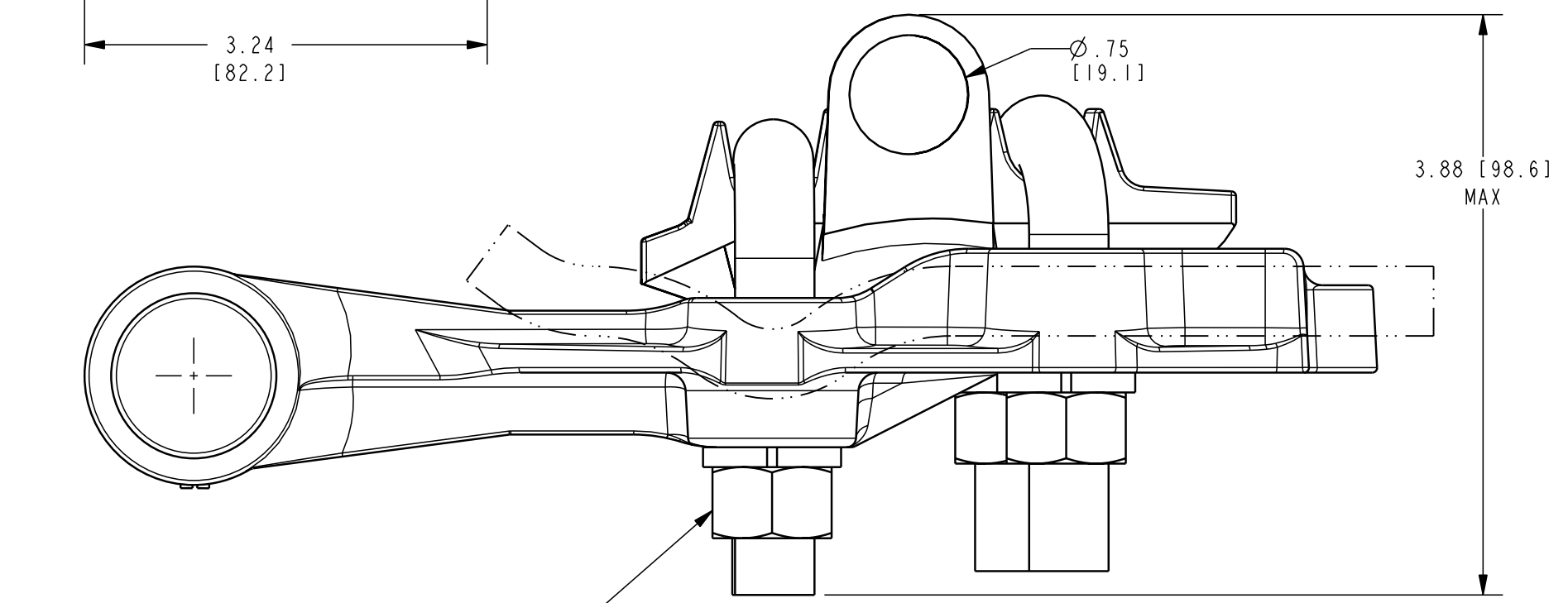


REV.	DATE	DESCRIPTION	ECO	BY	C'H'K.
A	4/1/2009 1:00:00 AM	RELEASED FOR SALE	16574	DD	WZ



3D VIEW
SCALE 1:2



NOTES:

- MATERIAL:
CONNECTOR, 356 CAST ALUMINUM ALLOY
- DIMENSIONS IN BRACKETS [] DENOTES METRIC UNITS [SI UNITS] AND ARE ROUNDED TO THE NEAREST WHOLE NUMBER. UNLESS OTHERWISE SPECIFIED THESE UNITS SHALL BE USED FOR REFERENCE ONLY.
- DESIGNED FOR OPERATION AT A VOLTAGE GRADIENT NORMALLY ASSOCIATED WITH 138 KV AMS OPERATION PHASE TO PHASE.
- NOMINAL RECOMMENDED TIGHTENING TORQUE:
GALVANIZED STEEL HARDWARE:
1/2 480 INCH POUNDS [40 NM]
- MARKING: BURNDY
CATALOG NUMBER
ACCOMMODATION

ACCOMMODATES

- #6 - 2/0 ASC Ø .184 TO 2/0 ASC Ø .438
[Ø 4.67] [Ø 11.13]
- #6 - 2/0 ACSR Ø .198 TO 2/0 ACSR Ø .447
[Ø 5.03] [Ø 11.35]

(4) 1/2 DIA. GALVANIZED STEEL U-BOLTS HEX. NUTS AND SPLIT LOCKWASHERS

B.C. HYDRO STOCK NO. 413-0579

TO ORDER BURNDY® PRODUCTS CALL		STRAIN CLAMP	
UNITED STATES: 1-800-346-4175 (LONDONDERRY, NH)		ITEM NO: 27001535	CAT. NO: CUW26RECG5
CANADA: 1-800-361-6975 (QUEBEC) 1-800-387-6487 (ALL OTHER PROVINCES)		DRAWN BY: V.S.T. 2/27/91	CHECKER: T.D.S.
FOR PRODUCT INFO: http://www.fciconnect.com		DSN APPVL: --	MFG APPVL: --
		QA APPVL: --	MKT APPVL: --
		PROD FAM: --	PROJECT #: --
		DOCUMENT TYPE: Sales	REL LEVEL: Released
		SIZE: B	DRAWING NO: CSC31914
			SHEET 1 OF 1
			SCALE: 1:1
			REV: A

REV: PE0200