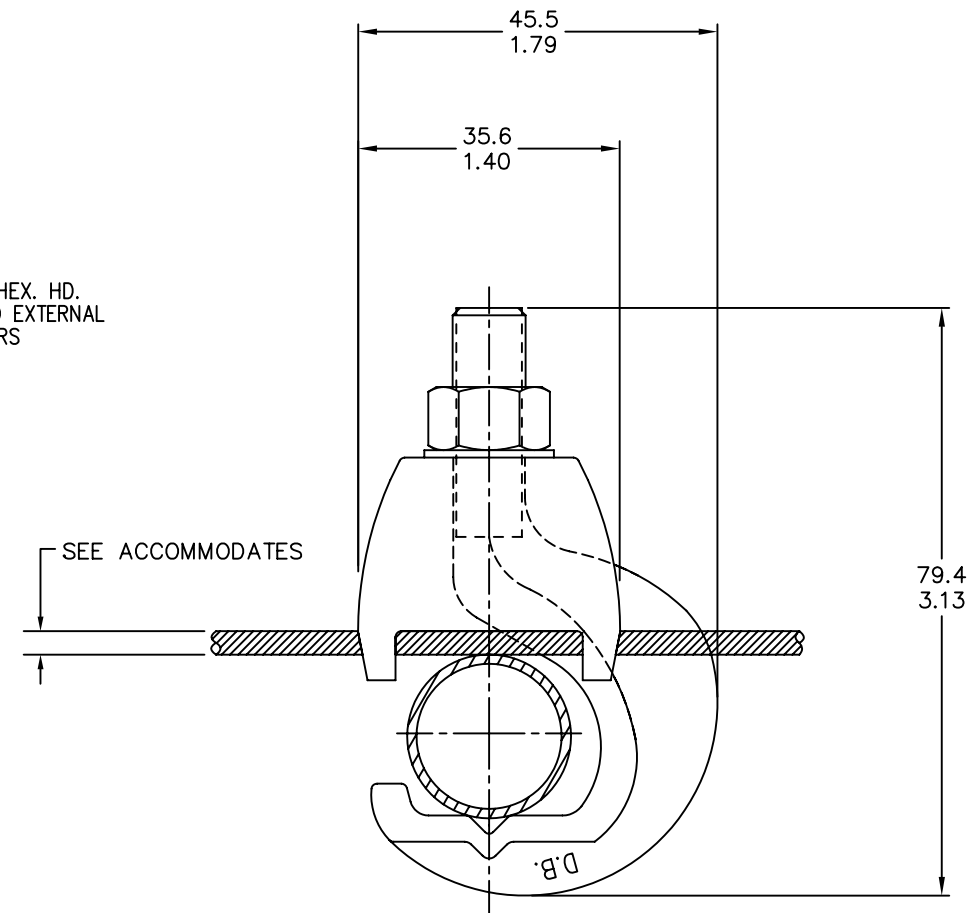
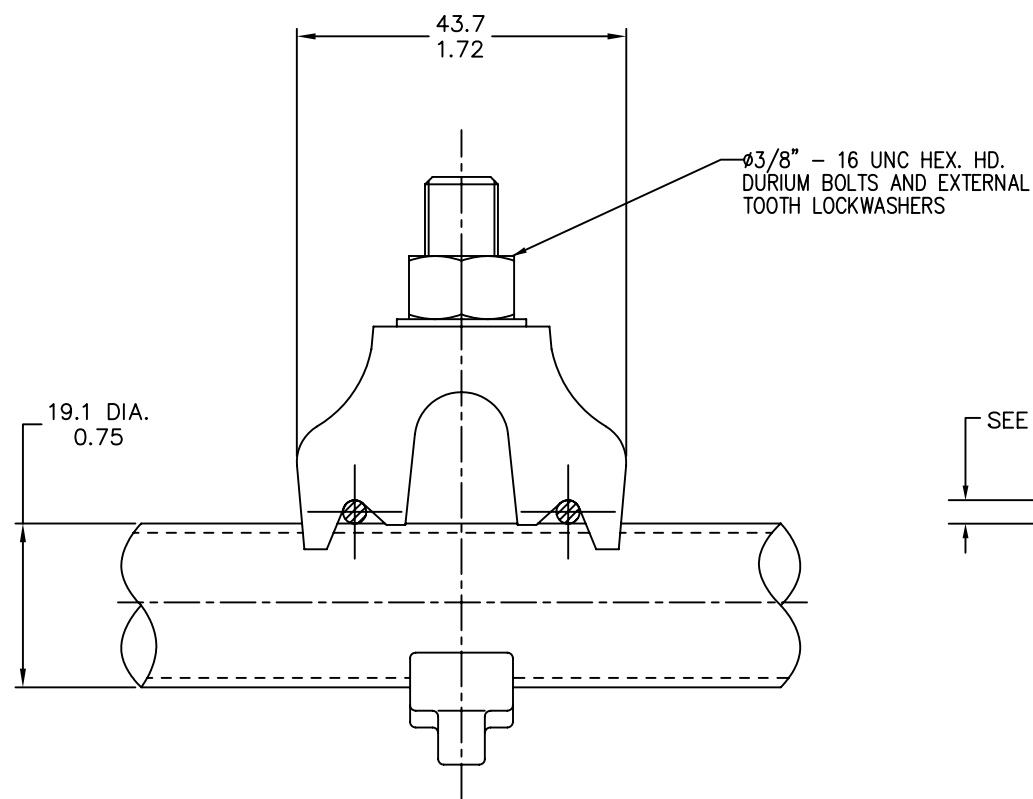
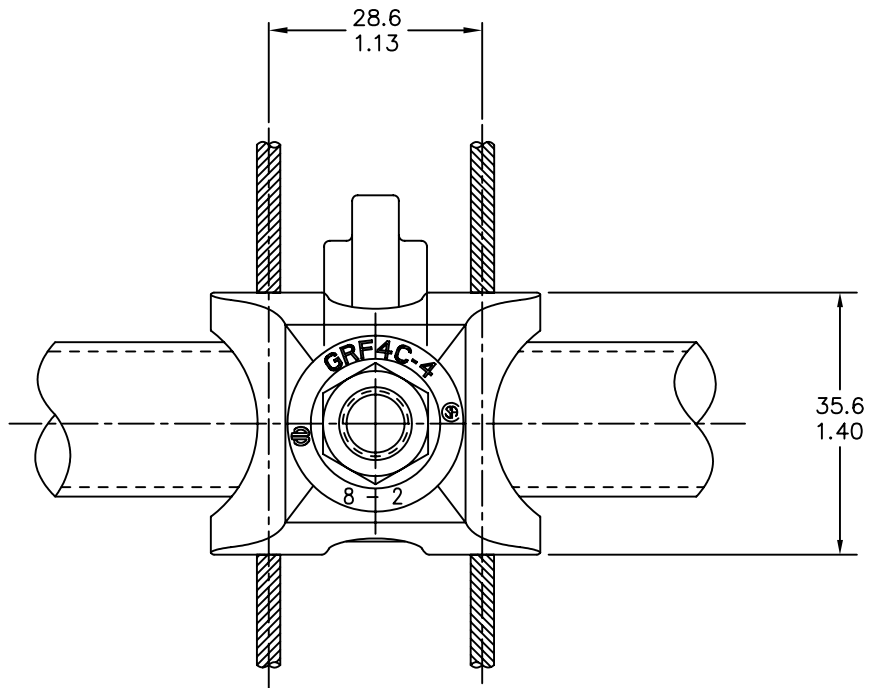


REV.	DATE	DESCRIPTION	ECO	BY	C'K'D.
2	03/18/93	CSA LOGO ADDED PER CEC 92057	.	VST	HG



NOTES:

- MATERIAL:
CAST COPPER ALLOY.
- ACCOMMODATES:
(2) #8 TO #2 SOL/STR
18,9 (5/8) to 19,1 (3/4) DIA. ROUND POST
19,9 (5/8) SQUARE POST
- NOMINAL BOLT INSTALLATION TORQUE:
11.3 Nm (100 In. Lbs)
- MARKING ON BODY:

GRF4C-4
8 - 2
- MARKING ON HOOK:

CANADA
D.B.
5/8 - 3/4 DIA.
- FINISH:
ALL COMPONENTS ELCTRO TIN PLATED.

TO ORDER BURNDY® PRODUCTS CALL
UNITED STATES:
1-800-346-4175 (LONDONDERRY, NH)
CANADA:
1-800-361-6975 (QUEBEC)
1-800-387-6487 (ALL OTHER PROVINCES)
FOR PRODUCT INFO: <http://www.burndy.com>

RAISED FLOOR GROUNDING CLAMP	
ITEM NO: ---	
CAT NO: GRF4C4	
SCALE: NTS	
DRAWN BY: VST	06/10/92
CHECKER: TDS	
DSN APPVL: ---	
MFG APPVL: ---	
QC APPVL: ---	
MKT APPVL: ---	
PROD FAM: ---	
PROJECT #: ---	SIZE
DOCUMENT TYPE: Sales	D
REL LEVEL: AutoCAD	
DRAWING NO	REV
CSC32364	2
SHEET 1 OF 1	

