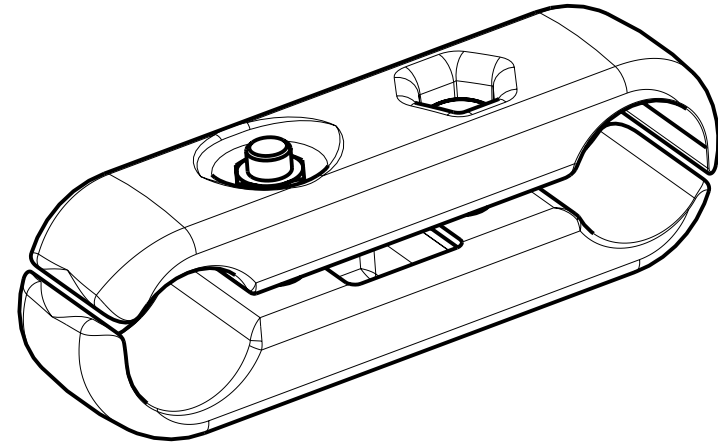
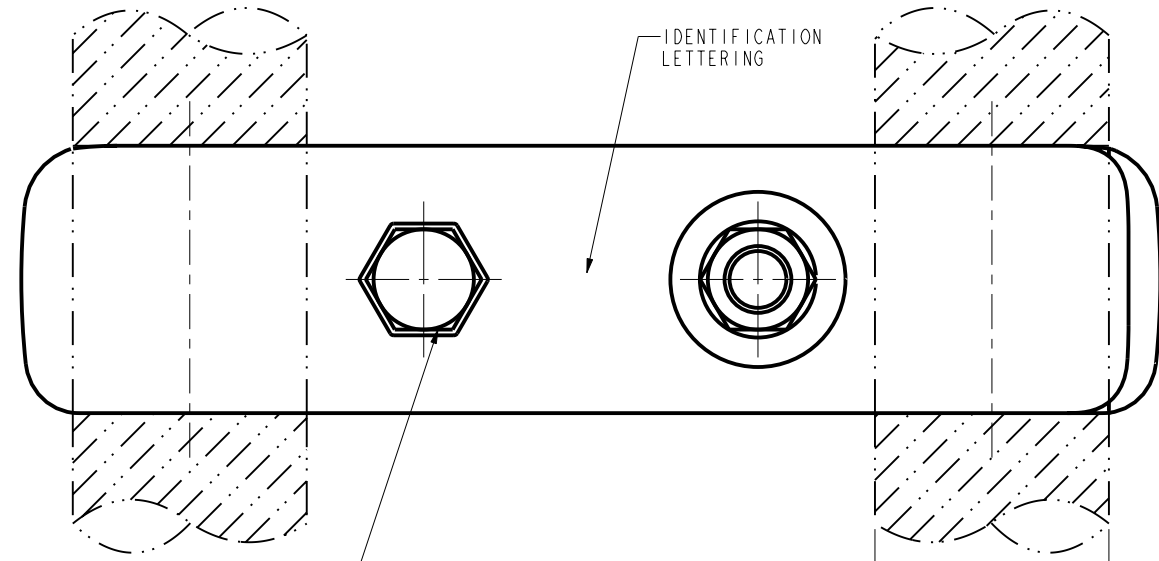


REV	DATE	DESCRIPTION	ECO	BY	C'H'K.
A	4/5/2010 12:00:00 AM	CREATE DOCUMENTATION FOR CAT.# S2R486ACG1	20741	VV	NJS



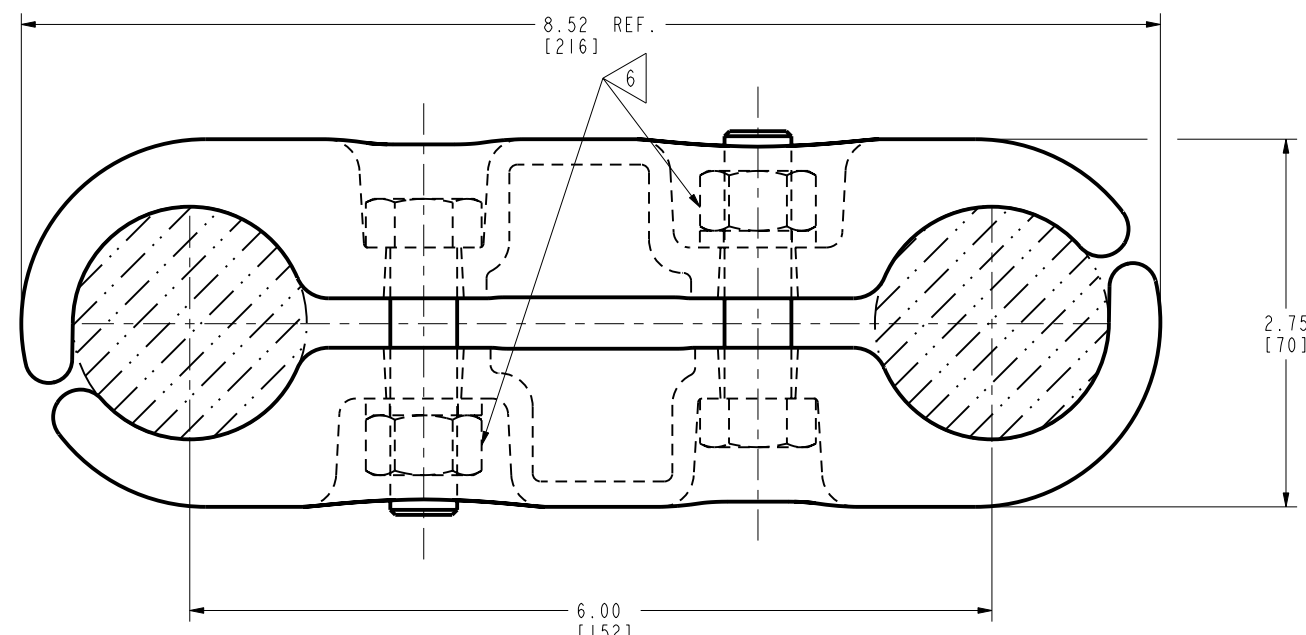
ISOMETRIC VIEW
SCALE 1:1



1/2" HEX. STAINLESS STEEL BOLTS AND SILICON BRONZE NUTS WITH STAINLESS STEEL SPLIT WASHERS (2 PLACES)

IDENTIFICATION LETTERING

SEE ACCOMMODATES (2 PLACES) 2



- NOTES:
- 1 MATERIAL:
BODY & CAP: CAST ALUMINUM ALLOY
 - 2 ACCOMMODATES:
(2) 2303.5 Kcmil 1.750 [44] DIA. ASC CABLE.
 - 3 NOMINAL BOLT INSTALLATION TORQUE:
480 LB-IN [54 Nm] FOR 1/2" HEX. STAINLESS STEEL HARDWARE.
 - 4 DIMENSIONS IN BRACKETS [] DENOTES METRIC UNITS [SI UNITS] AND ARE ROUNDED TO THE NEAREST WHOLE NUMBER. UNLESS OTHERWISE SPECIFIED THESE UNITS SHALL BE USED FOR REFERENCE ONLY.
 - 5 PENETROX® NOTE: (FOR ALUMINUM CONNECTORS ONLY) SCRATCH BRUSH CONNECTOR CONTACT SURFACE DRY, THEN APPLY PENETROX® A. PENETROX® CAN BE PURCHASED FROM BURNDY LLC, USA. INC. IN CANS OR PLASTIC SQUEEZE BOTTLES.
 - 6 HEX NUTS CAPTURED TO PREVENT TURNING DURING INSTALLATION.
 - 7 THE CONCEPT SHOWN INCORPORATES DESIGN PRINCIPLES WHICH PERMIT OPERATION AT A VOLTAGE GRADIENT NORMALLY ASSOCIATED WITH 230KV RMS OPERATION PHASE TO PHASE.

TO ORDER BURNDY® PRODUCTS CALL
UNITED STATES
1-800-346-4175 (LONDONDERRY, NH)
CANADA:
1-800-361-6975 (QUEBEC)
1-800-387-6487 (ALL OTHER PROVINCES)
FOR PRODUCT INFO: <http://www.burndy.com>

RIGID SPACER - EHV	
ITEM NO:	---
CAT. NO:	S2R486ACG1
DRAWN BY:	V VINOCH 04/05/10
CHECKER:	J HOSKER 04/26/10
DSN APPVL:	R LAVOIE 06/10/10
MFG APPVL:	T WAWRZYNIAK 06/10/10
QA APPVL:	J HILLMAN 06/17/10
MKT APPVL:	V TORRES 06/25/10
PROJ FAM:	SUBSTATION
PROJECT #:	---
DOCUMENT TYPE:	Sales
REL LEVEL:	Released
SCALE:	3:2
DRAWING NO:	CSD023113-01
REV:	A
SHEET 1 OF 1	



REV: PE0200