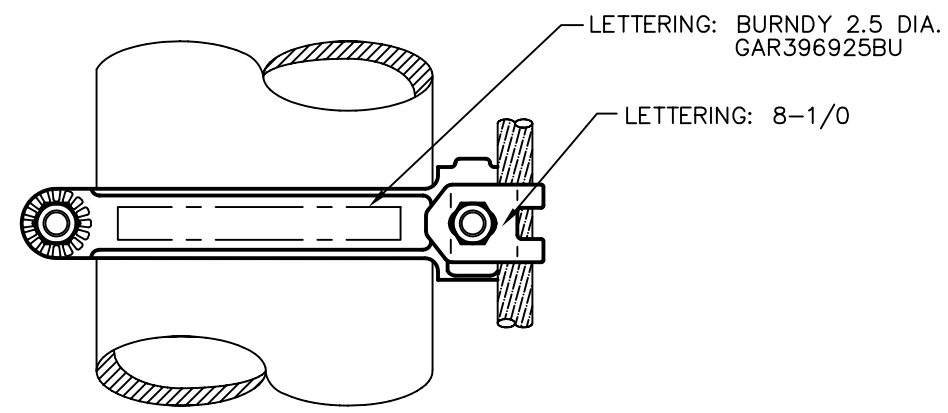
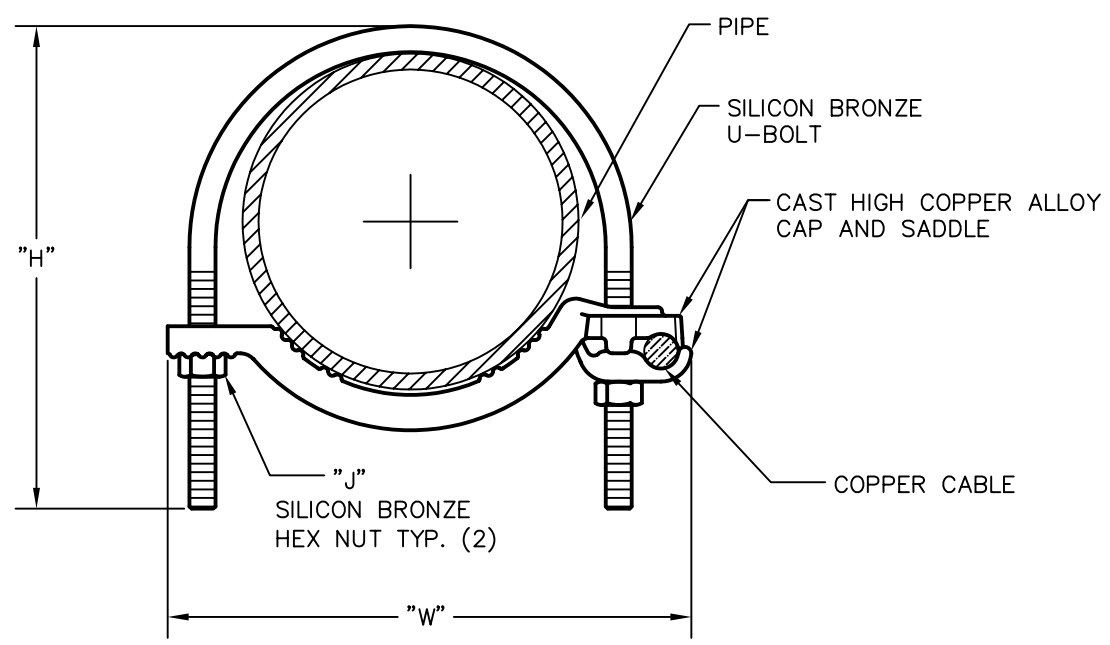


DRAWING NO. CSK033823-01						
CATALOG NUMBER	NOMINAL O.D.	COPPER CABLE ACCOMMODATED	H	J	W	RECOMMENDED TIGHTENING TORQUE
GAR396925BU	2.50 [64]	#8-1/0	4.00 [99]	3/8-16	4.50 [114]	2.00 LB*IN [22.5 N*M]

REV.	DATE	DESCRIPTION	ECO	BY	C'K'D.
A	12/13/05	CHNG'D LETTERING FROM 8-4/0 TO 8-1/0	11640	PL	DB



NOTES:

- MATERIAL: AS NOTED
- DIMENSIONS IN BRACKETS [] ARE IN MILLIMETERS ROUNDED OFF TO THE NEAREST MILLIMETER, UNLESS OTHERWISE NOTED, AND ARE FOR REFERENCE ONLY.
- APPLY EVEN COAT OF BURNDY PENETROX E, OXIDE INHIBITING COMPOUND TO PIPE.

TO ORDER BURNDY PRODUCTS CALL 1-800-346-4175
MANCHESTER, NH 03109, USA
FOR PRODUCT INFO = <http://www.fciconnect.com>

GROUND CLAMP ASSEMBLY

ITEM NO: 10057235

CAT NO: GAR396925BU

SCALE: 1/1	
DRAWN BY: P LAPONIUS	12/13/05
CHECKER: D BOISVERT	12/15/05
DSN APPVL: J MICHAUD	11/7/05
MFG APPVL: ---	---
QC APPVL: J BRODEUR	10/25/05
MKT APPVL: V TORRES	10/25/05
PROD FAM: ---	
PROJECT #: ---	SIZE
DOCUMENT TYPE: Sales	C
REL LEVEL: AutoCAD	

FCI

DRAWING NO	REV
CSK033823-01	A
SHEET 1 OF 1	