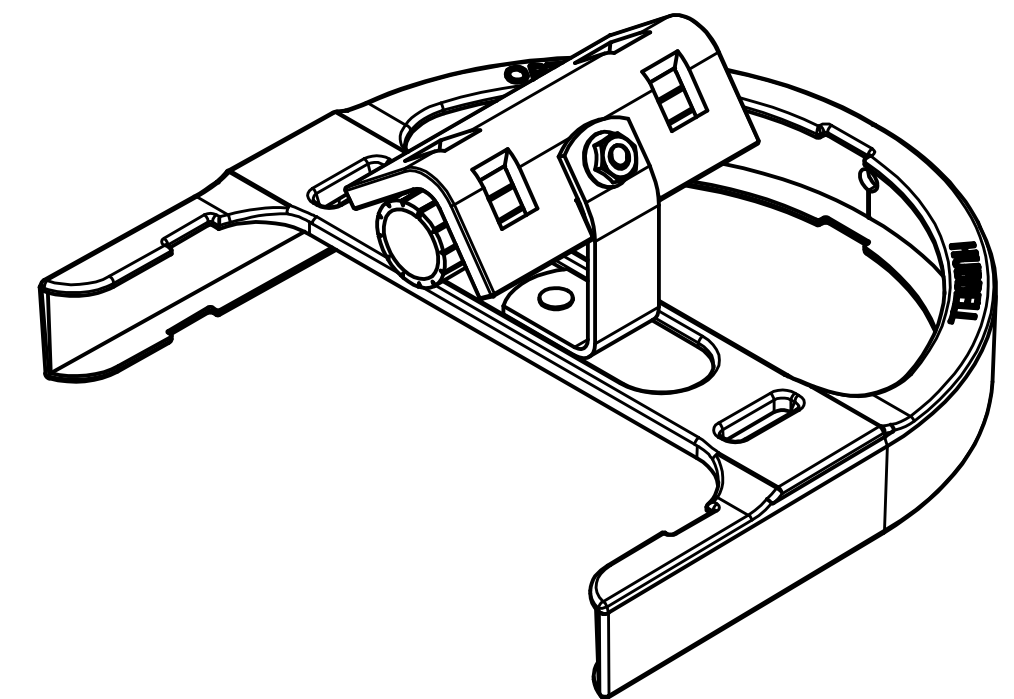
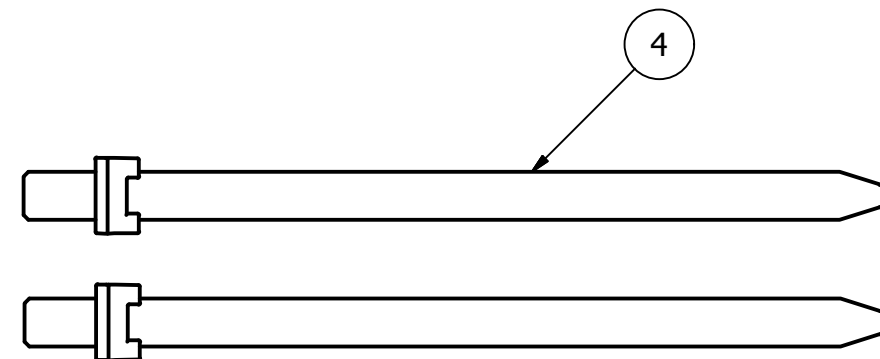
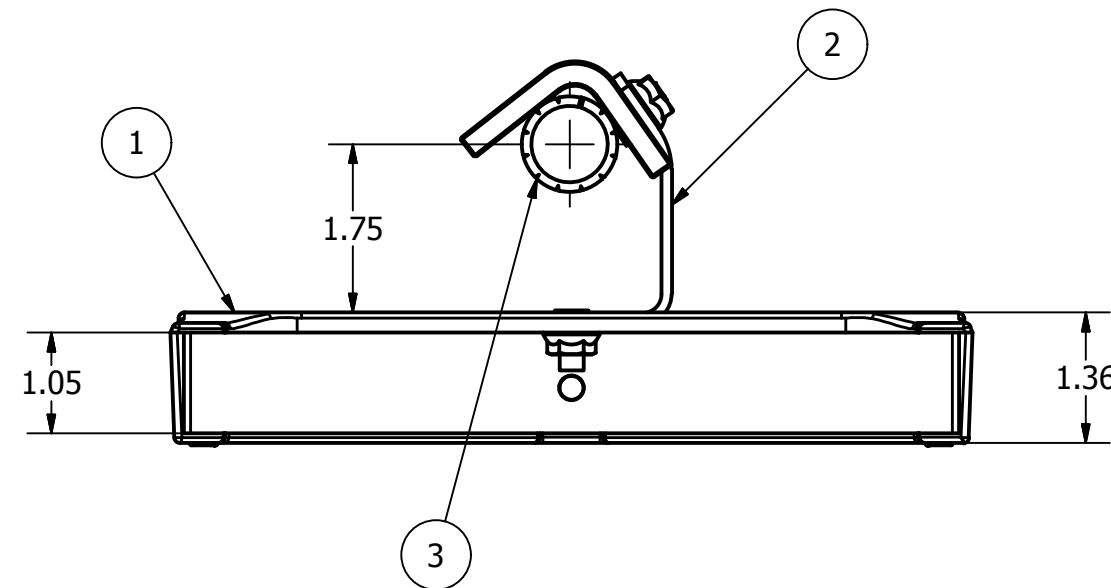
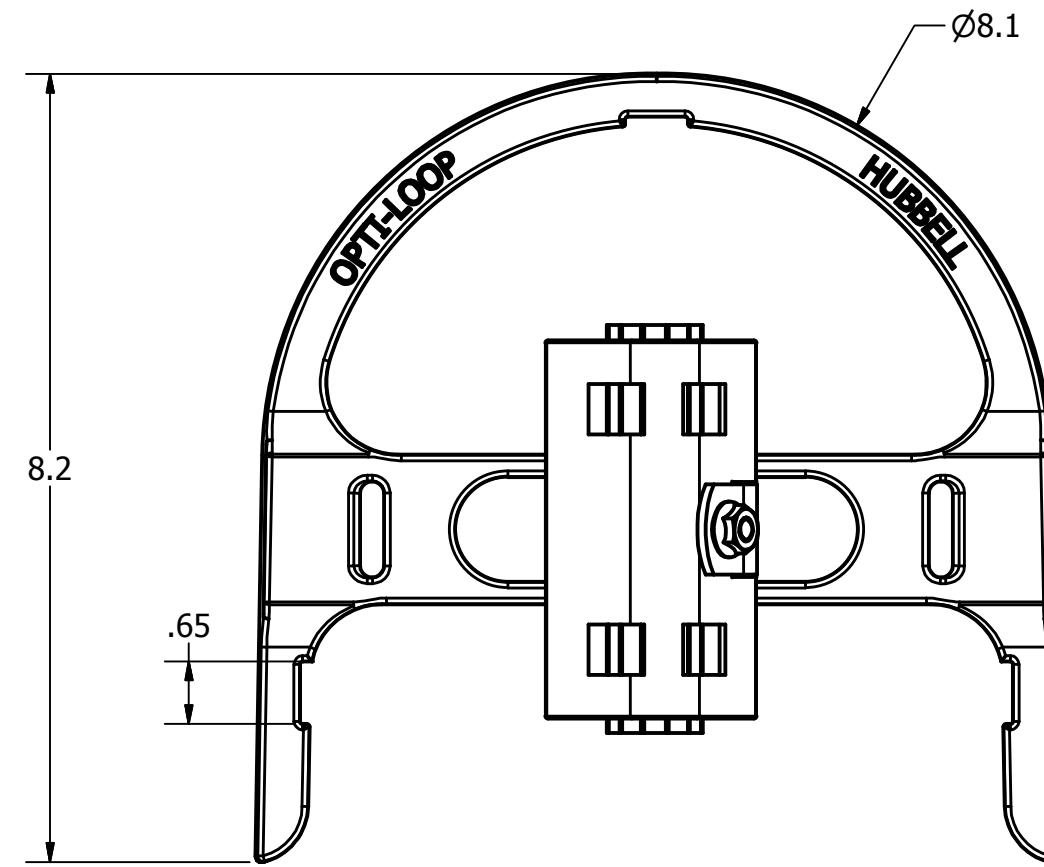


ITEM NO.	DESCRIPTION	QTY.
1	DCSU INVERTED HORSESHOE	1
2	ADSS DIRECT ATTACH BRACKET	1
3	TEAR AWAY RUBBER GROMMET	1
4	ACETAL TIE WRAP	2



NOTES:

1. MATERIAL:

DCSU HORSE SHOE AND ADSS MOUNT: UV RESISTANT POLYPROPYLENE.
MOUNTING BRACKET: ALUMINUM
HARDWARE: STAINLESS STEEL

2. PLASTIC FIBER STORAGE UNIT FOR STORING EXCESS SLACK FROM A FIBER DROP ON ADSS CABLE.

3. MOUNTED DIRECTLY ON ADSS CABLE USING TEAR-AWAY RUBBER GROMMET AND PLASTIC TIES (SUPPLIED).

4. DIMENSIONS IN INCHES.

63862	2/2/16	JES	JES
EC #	DATE	CHG BY	RESP ENG
DESC OF DWG: INITIAL RELEASE			
REASON (S) FOR CHANGE: DISPOSITION OF MAT'L:			

OPTI-LOOP

CONFIDENTIAL: THIS DRAWING AND ITS CONTENTS ARE CONFIDENTIAL AND THE EXCLUSIVE PROPERTY OF HUBBELL POWER SYSTEMS. NO PUBLICATION, DISTRIBUTION OR COPIES MAY BE MADE WITHOUT THE WRITTEN CONSENT OF HUBBELL POWER SYSTEMS. HUBBELL POWER SYSTEMS UNPUBLISHED ALL RIGHTS RESERVED UNDER THE COPYRIGHT LAWS



HUBBELL POWER SYSTEMS

TITLE DCSU 8" INVERTED HORSE SHOE ADSS MOUNT			
SIZE C	DWG NO. CC-23322	CAT / PART / ASSY NO. DCSU8ADSS	REV 00
DO NOT SCALE THIS DRAWING	DRN BY JES	DATE 1/7/16	SHEET 1 OF 1