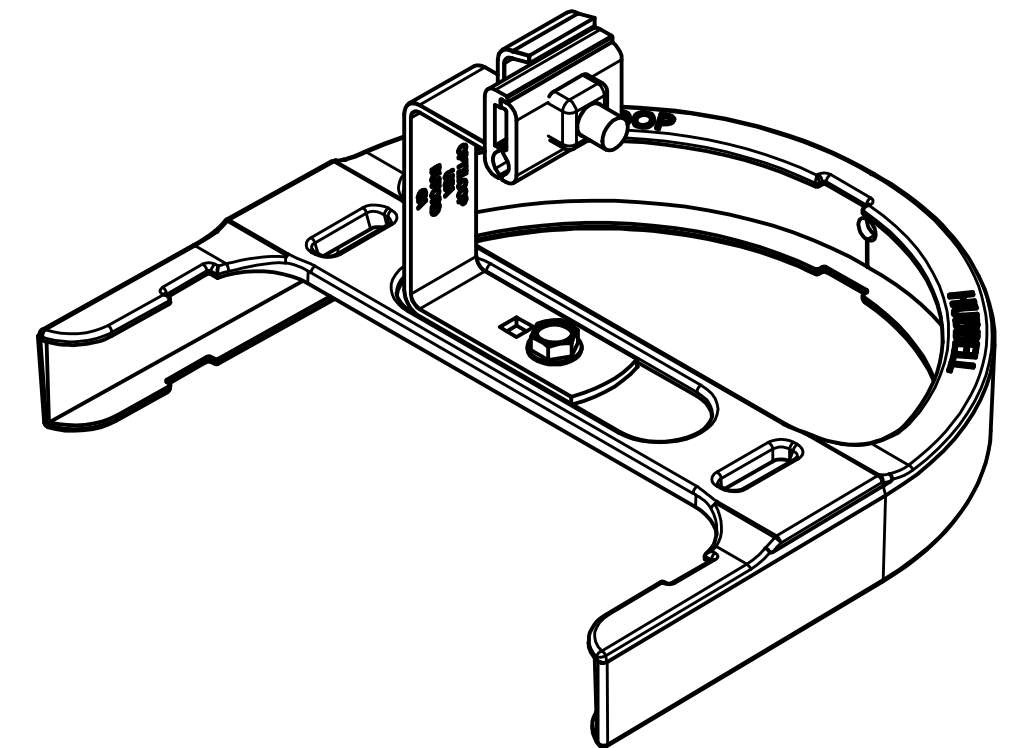
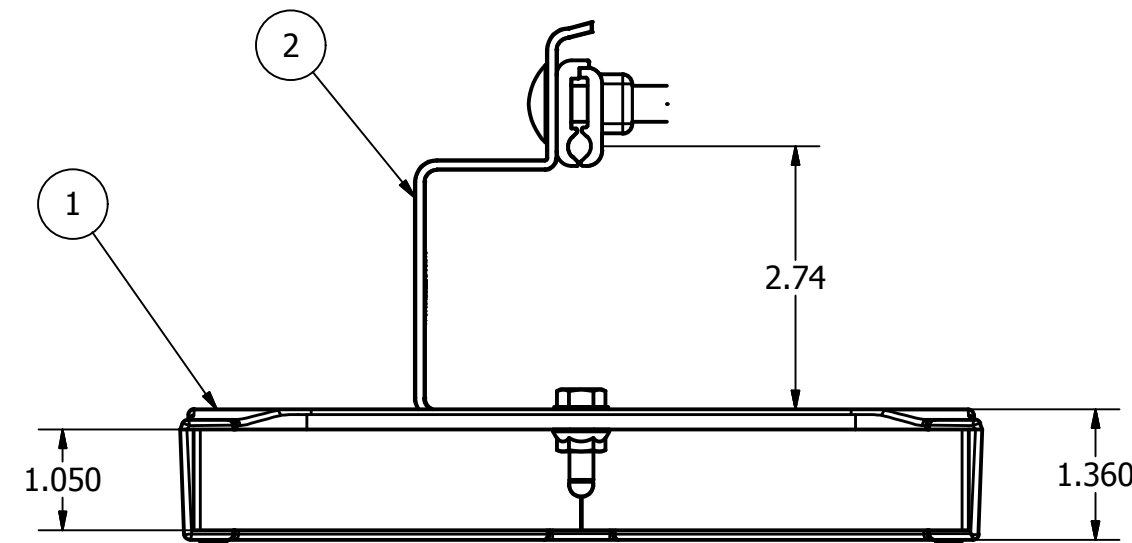
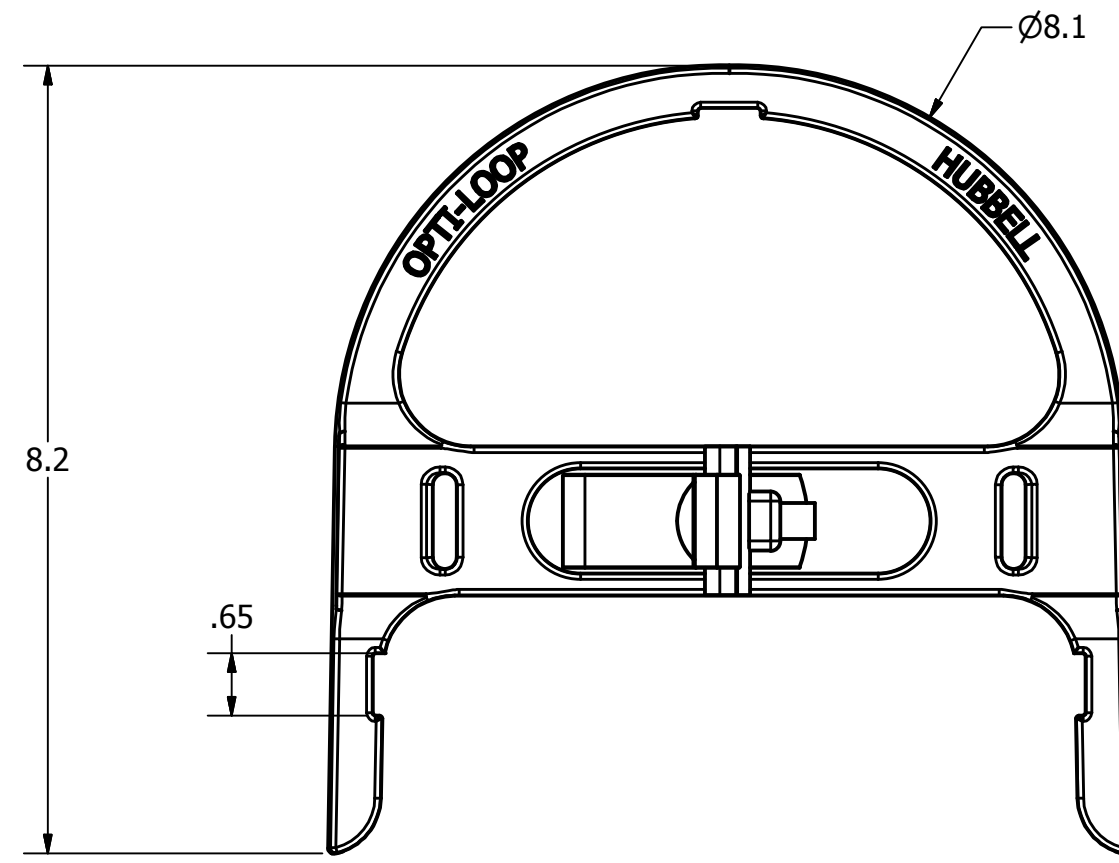


ITEM NO.	DESCRIPTION	QTY.
1	DCSU INVERTED HORSESHOE	1
2	TMK MOUNTING BRACKET	1



NOTES:

1. MATERIAL:

DCSU HORSE SHOE: UV RESISTANT POLYPROPYLENE.  
MOUNTING BRACKET: ALUMINUM  
HARDWARE: GALVANIZED STEEL/ STAINLESS STEEL

2. PLASTIC FIBER STORAGE UNIT FOR STORING EXCESS SLACK FROM A FIBER DROP.

3. MOUNTED TO MESSENGER WIRE USING TMK MOUNTING BRACKET (SUPPLIED).

4. DIMENSIONS IN INCHES.

63862	2/2/16	JES	JES
EC #	DATE	CHG BY	RESP ENG
DESC OF DWG: INITIAL RELEASE			
REASON (S) FOR CHANGE: DISPOSITION OF MAT'L:			

**OPTI-LOOP**

CONFIDENTIAL: THIS DRAWING AND ITS CONTENTS ARE CONFIDENTIAL AND THE EXCLUSIVE PROPERTY OF HUBBELL POWER SYSTEMS. NO PUBLICATION, DISTRIBUTION OR COPIES MAY BE MADE WITHOUT THE WRITTEN CONSENT OF HUBBELL POWER SYSTEMS. HUBBELL POWER SYSTEMS UNPUBLISHED ALL RIGHTS RESERVED UNDER THE COPYRIGHT LAWS



**HUBBELL POWER SYSTEMS**

TITLE DCSU 8" INVERTED HORSE SHOE TMK MOUNT			
SIZE C	DWG NO. CC-23323	CAT / PART / ASSY NO. DCSU8TMK	REV 00
DO NOT SCALE THIS DRAWING	DRN BY JES	DATE 1/7/16	SHEET 1 OF 1