

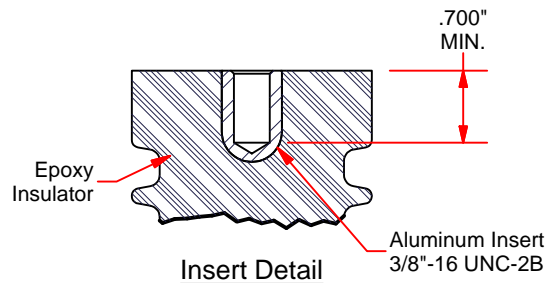
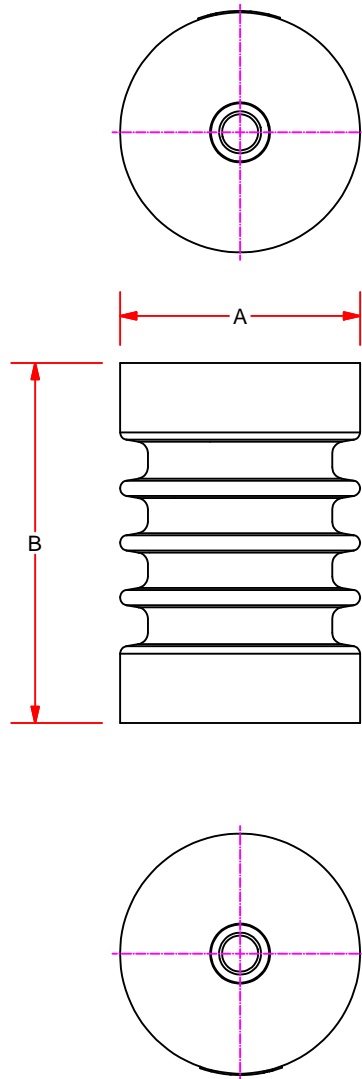
Stand-Off Insulators



Technical Data

Indoor and Outdoor Applications

Cycloaliphatic Epoxy



| Part Number | Dimensions (in.) | | Electrical Ratings, (kV) | | | | | | Mechanical Ratings (lbs.) | | | Approx. Weight (lbs.) |
|-------------|------------------|------|--------------------------|-----|----------------------------|-----------------------------|------------------------|------------------------|---------------------------|---------|-------------|-----------------------|
| | A | B | Voltage Class (kV) | BIL | Withstand 1 Min. 60 Hz Dry | Withstand 10 Sec. 60 Hz Wet | Leakage Distance (in.) | Dry Arc Distance (in.) | Cantilever ② | Tensile | Compression | |
| U-SOI2537AA | 2.50 | 3.75 | 5 | 70 | 19 | 15 | 4.57 | 3.75 | 1,000 | 4,000 | 20,000 | 1.1 |

① Stand-Off insulators are recommended for a variety of applications including supports for bus bar, fuse mounting, switch parts and other electrical devices.

② These insulators must be mounted on a flat surface that is at least as wide as the base of the insulator. Cantilever values are measured at 2.50\" above insulator top surface.



PCORE Electric Co., Inc.
200 West Dewey St.
Goldsboro, NC 27530

Phone: +1.919.734.0460
Fax: +1.919.734.0902
www.hubbellpowersystems.com

Data Sheet DSSOI-06
09 November 2015