

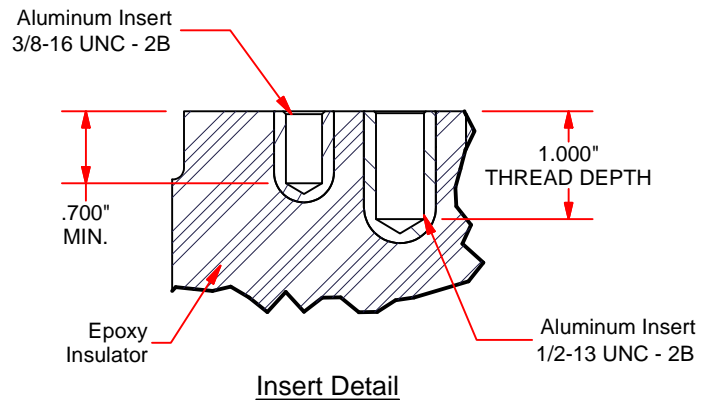
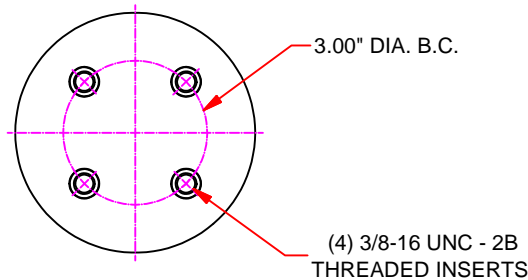
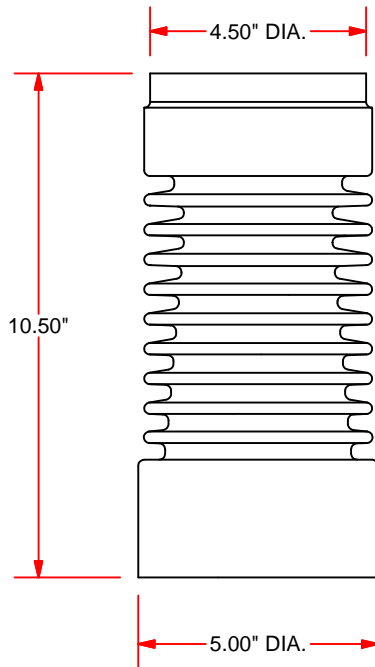
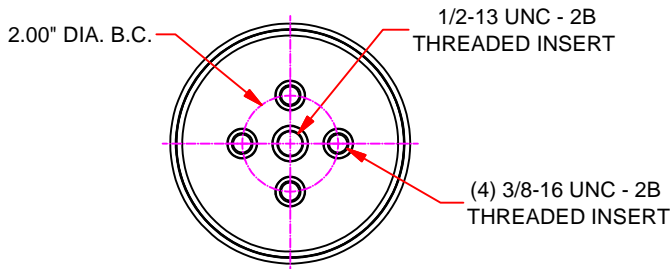
# Stand-Off Insulator



Technical Data

Indoor Applications

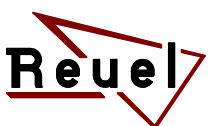
Cycloaliphatic Epoxy



Part Number	Dimensions (in.)			Electrical Ratings, (kV)						Mechanical Ratings (lbs.)			Approx. Weight (lbs.)
	A	B	C	Voltage Class (kV)	BIL	Withstand 1 Min. 60 Hz Dry	Withstand 10 Sec. 60 Hz Wet	Leakage Distance (in.)	Dry Arc Distance (in.)	Cantilever	Tensile	Compression	
U-SOI60105ECFKA	4.5	5.0	10.5	34	150	95	80	21.3	10.5	2,000	2,000	20,000	2,000

① This Stand-Off Insulator is to be installed in a indoor application.

② These insulators have tapered rood diameters. To attain the rated cantilever strength, the end with the larger rood diameter must be oriented toward the mounting surface, and the insulator must be mounted on a flat surface that is at least as wide as the base of the insulator. Cantilever values are measured at 2.50" above insulator top surface.



**PCORE Electric Co., Inc.**  
 200 West Dewey St.  
 Goldsboro, NC 27530

Phone: +1.919.734.0460  
 Fax: +1.919.734.0902  
 www.hubbellpowersystems.com

**Data Sheet DSSOI-08**  
 12 November 2015