

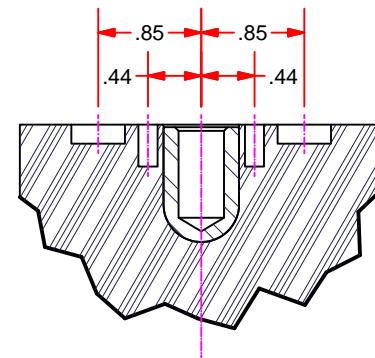
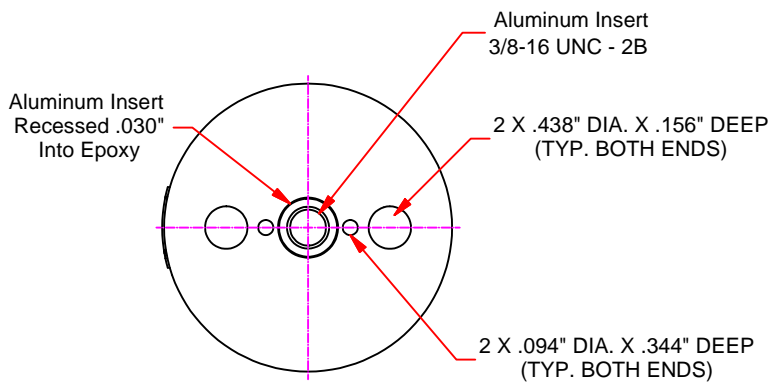
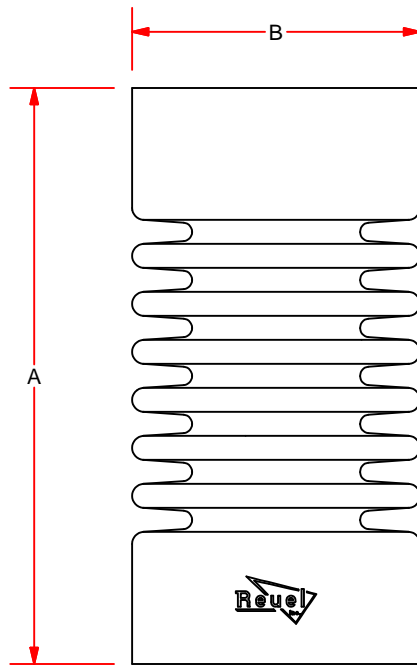
Stand-Off Insulator



Technical Data

Indoor Applications

Cycloaliphatic Epoxy



CONFIGURATION DETAIL
TYP. BOTH ENDS

Part Number	Dimensions (in.)		Electrical Ratings						Mechanical Ratings (lbs.)			Approx. Weight
	A	B	Voltage Class(kV)	BIL (kV)	Withstand 1 Min. 60 Hz Dry (kV)	Withstand 10 Sec. 60 Hz Wet (kV)	Leakage Distance (in.)	Dry Arc Distance (in.)	Cantilever (Note 3)	Tensile	Compression	
U-SOI3050NN	5.00"	3.00"	5	60	19	15	10.0	5.00	450	4,000	20,000	2.05
U-SOI3060NN	6.00"	3.00"	15	95	36	26	13.0	6.00	400	4,000	20,000	2.35
U-SOI3070NN	7.00"	3.00"	25	125	49	39	16.0	7.00	350	4,000	20,000	2.65
U-SOI3080NN	8.00"	3.00"	25	150	70	60	19.0	8.00	300	4,000	20,000	2.95

1.- Reuel Stand-off Insulators are recommended for a variety of applications including supports for bus bar, fuse mounting, switch parts and other electrical devices.

2.- The inserts in this insulator are not electrically bonded to each other.

3.- The insulator must be mounted on a flat surface that is at least as wide as the base of the insulator. Cantilever values are measured at 2.50" above the insulator to surface.



PCORE Electric Co., Inc.
200 West Dewey St.
Goldsboro, NC 27530

Phone: +1.919.734.0460
Fax: +1.919.734.0902
www.hubbellpowersystems.com

Data Sheet DSSOI-09
23 October 2015