

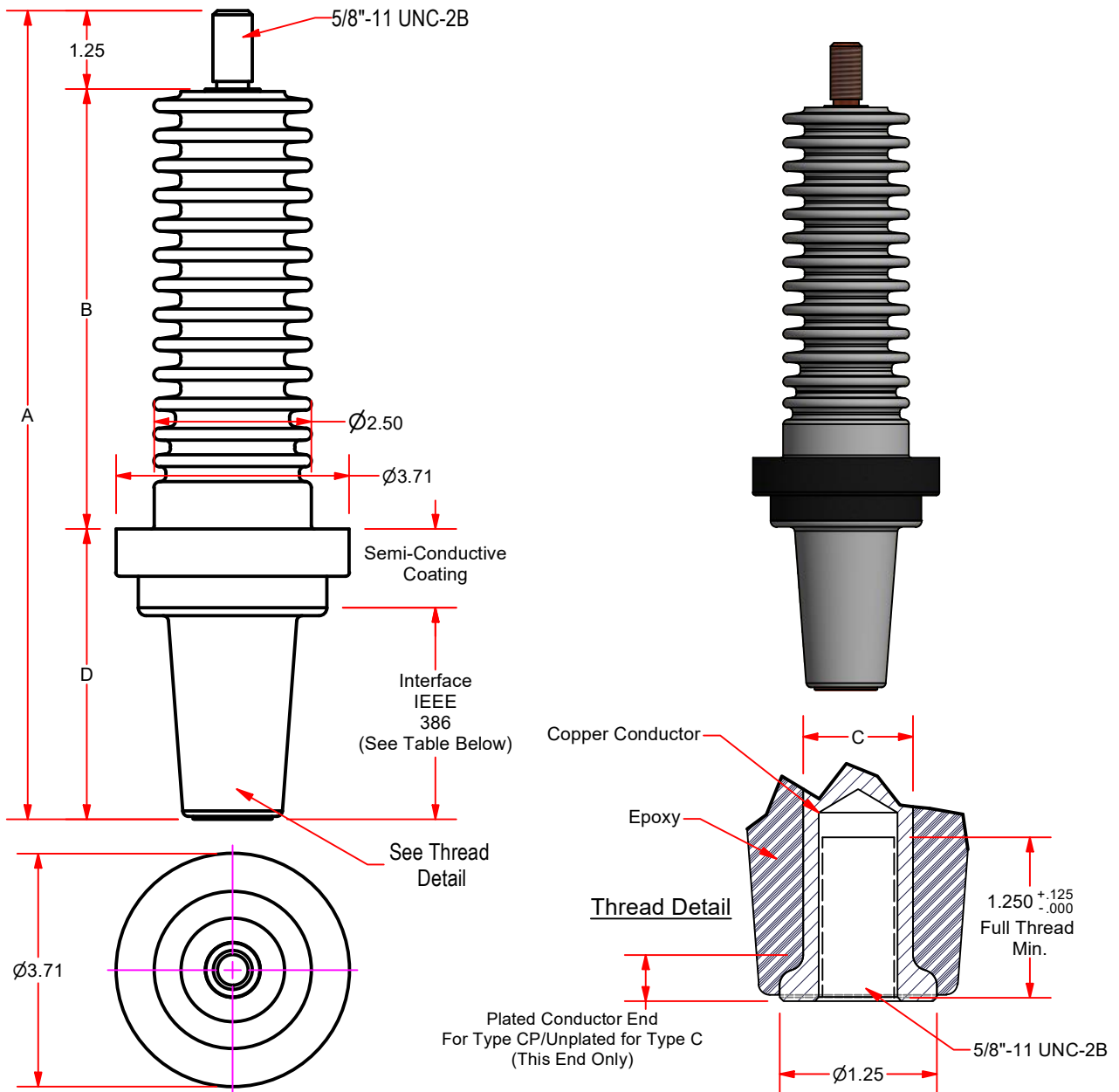
# 600 Amp Universal Air Bushing



Technical Data

Indoor and Outdoor Applications

Cycloaliphatic Epoxy



Part Number	Dimensions (in.)				IEEE Interface 386	Electrical Ratings						Current Capacity (RMS)		Momentary Withstand (RMS / SYM)		Approx. Weight
	A	B	C	D		Voltage Class (kV)	BIL (kV)	Withstand 1 Min. 60 Hz (kV)	Withstand 15 Min. DC (kV)	Corona Extinction	Leakage Distance (in.)	Continuous	4 Hr. Overload	10 Cycles	3 Seconds	
U-UAB95C	12.87"	7.00"	Ø.875"	4.62"	Fig. 12,13	15	95	34	53	11	15.69	600 Amps	900 Amps	25kA	10kA	4.75
U-UAB95CP	12.87"	7.00"	Ø.875"	4.62"	Fig. 12,13	15	95	34	53	11	15.69	600 Amps	900 Amps	25kA	10kA	4.75
U-UAB125C	14.37"	8.50"	Ø.875"	4.62"	Fig. 12,13	25	125	40	78	19	19.15	600 Amps	900 Amps	25kA	10kA	5.25
U-UAB125CP	14.37"	8.50"	Ø.875"	4.62"	Fig. 12,13	25	125	40	78	19	19.15	600 Amps	900 Amps	25kA	10kA	5.25

1.- Reuel 600 Amp 15kV and 25kV deadbreak apparatus bushings meet all requirements of **ANSI/IEEE 386 Interface**. These bushings are designed for cover or sidewall mounting in transformers, switchgear, and other air insulated apparatuses.



**PCORE Electric Co., Inc.**  
An affiliate of Hubbell Power Systems, Inc.

Phone: +1.919.734.0460  
Fax: +1.919.734.0902  
www.hubbellpowersystems.com

**Data Sheet DSUAB-02**  
10 May 2022