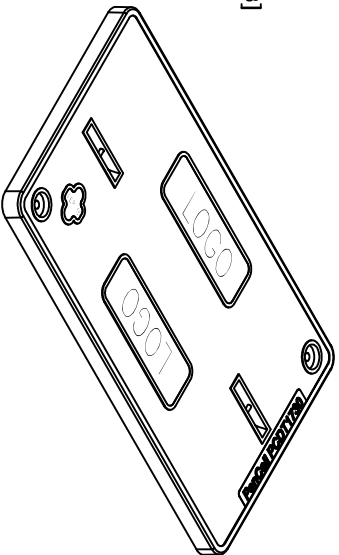


2X ø1/2 [13] THRU W/ø1 1/2 [38]
X 3/8 [10] DEEP COUNTERBORE



NOTES:

1. LOGO TO BE SPECIFIED: _____
2. FURNISHED W/(2) 3/8-16 S.S. HEX HEAD BOLT.
3. THIS COVER IS RATED FOR A STATIC DESIGN LOAD OF 15,000 LBS. [66,720 N] OVER A 10 [254] X 10 [254] AREA AND MUST PASS A MINIMUM STATIC TEST LOAD OF 22,500 LBS. [100,080 N].

DIMENSIONS ARE IN INCHES OR MILLIMETERS IN BRACKETS UNLESS OTHERWISE NOTED.

REV	DATE	BY	DESCRIPTION	APP'D
1	10/28/14	JG		
2				
3				
4				
5				

WEIGHT	49#
NET WEIGHT	22.2kg
DRAWING DESCRIPTION	PENCELL® 17 X 30 X 01 POLYMER CONCRETE COVER
PROJECT NUMBER	DT1730C7H100

DATE: 10/14