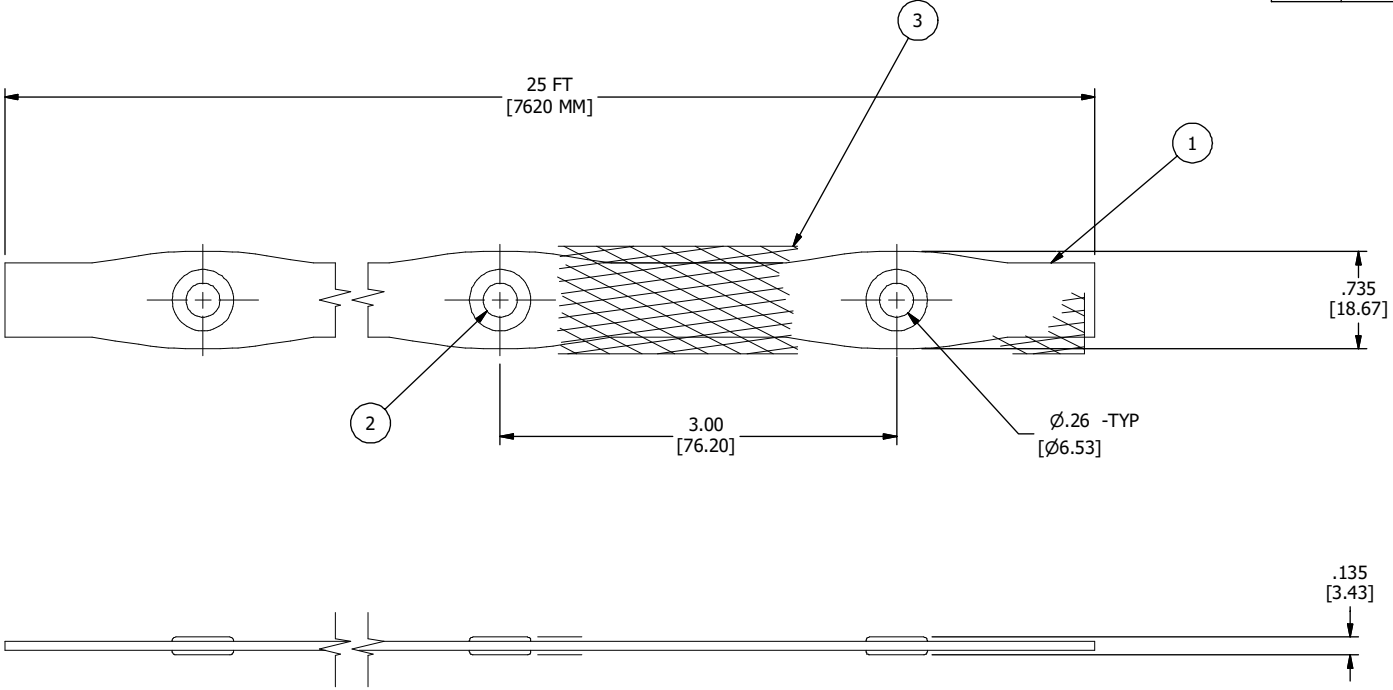


2

1

ITEM	DESCRIPTION	MATERIAL
1	BRAID	COPPER
2	EYELETS	BRASS
3	WEB COVERING	LDPE



**NOTES:**

- 1. ALL DIMENSIONS FOR REFERENCE ONLY.  
DISTANCE IN. [MM], FORCE LBS. [kN], TORQUE IN. LBS. [N.m], & WEIGHT LBS. [KG].
- 2. MATERIAL: REFER TABLE
- 3. FINISH: TIN PLATED

-	10/9/2023	GURU	SP	SP		HUBBELL POWER SYSTEMS, Inc.
EC #	DATE	CHANGED BY	CHECKED BY	APPROVED BY		
EC DESCRIPTION:					WEIGHT (lbmass)	CONFIDENTIAL: THIS DRAWING AND ITS CONTENTS ARE CONFIDENTIAL AND THE EXCLUSIVE PROPERTY OF HUBBELL POWER SYSTEMS. NO PUBLICATION, DISTRIBUTION OR COPIES MAY BE MADE WITHOUT THE WRITTEN CONSENT OF HUBBELL POWER SYSTEMS. HUBBELL POWER SYSTEMS UNPUBLISHED ALL RIGHTS RESERVED UNDER THE COPYRIGHT LAWS
					3.51	
ADDITIONAL COMMENTS:					TITLE PLAIN BRAID	
					CATALOG NUMBER: EM-2030	
SIZE	DWG NO.	PART / ASSY NO.		REV		
B	EM-2030-CC	EM-2030		A		
SCALE: NTS	DRN BY: RGP	DATE: 10/9/2023	SHEET 1 OF 1			

2

1