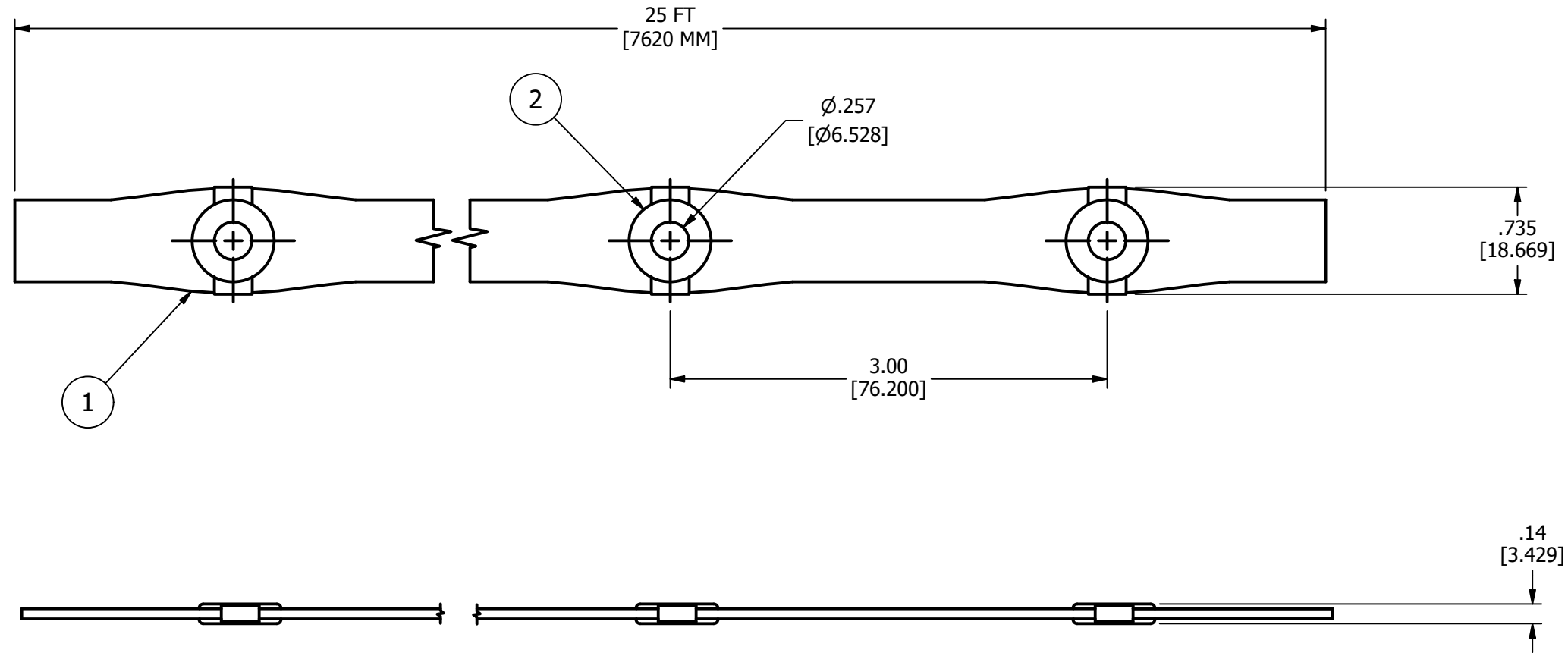


ITEM	DESCRIPTION	MATERIAL
1	BRAID	COPPER
2	EYELETS	BRASS



NOTES:

- ALL DIMENSIONS FOR REFERENCE ONLY.
DISTANCE IN. [MM], FORCE LBS. [kN], TORQUE IN. LBS. [N.m], & WEIGHT LBS. [KG].
- MATERIAL: SEE TABLE
- PLATING: TIN PLATED

-	10/17/2023	PREM	SP	SP		HUBBELL POWER SYSTEMS, Inc.	
EC #	DATE	CHANGED BY	CHECKED BY	APPROVED BY			
EC DESCRIPTION:					WEIGHT (lbmass)	<p>CONFIDENTIAL: THIS DRAWING AND ITS CONTENTS ARE CONFIDENTIAL AND THE EXCLUSIVE PROPERTY OF HUBBELL POWER SYSTEMS. NO PUBLICATION, DISTRIBUTION OR COPIES MAY BE MADE WITHOUT THE WRITTEN CONSENT OF HUBBELL POWER SYSTEMS. HUBBELL POWER SYSTEMS UNPUBLISHED ALL RIGHTS RESERVED UNDER THE COPYRIGHT LAWS</p>	TITLE
					1.3		PACKAGED ULTRABOND
ADDITIONAL COMMENTS:						CATALOG NUMBER:	EM-2050
SIZE		DWG NO.		PART / ASSY NO.		REV	
B		EM-2050-CC		EM-2050		A	
SCALE:	NTS	DRN BY:	PREM	DATE:	10/17/2023	SHEET 1 OF 1	