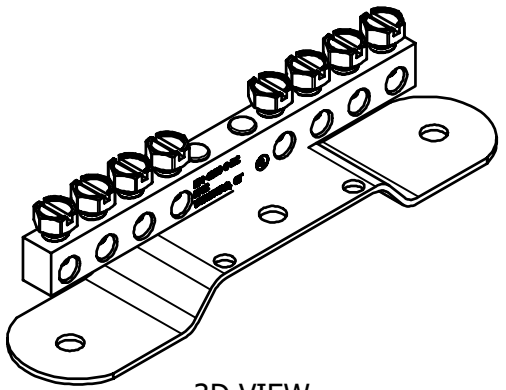
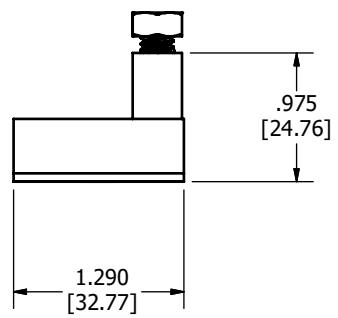
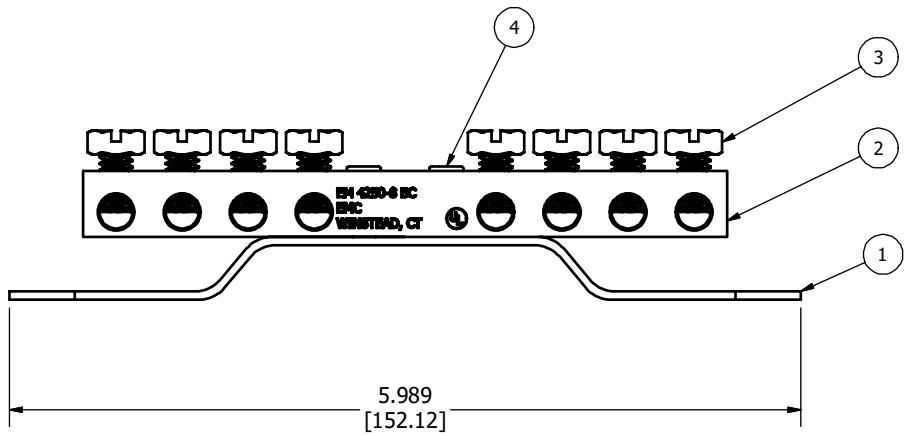


ITEM	DESCRIPTION	MATERIAL
1	BRACKET	BRASS (260)
2	GROUND BLOCK	BRASS (360)
3	1/4-20 SLOTTED INDENTED SCREW	BRASS (260)
4	.167 X 5/8 RIVET	SILICON BRONZE (651)



3D VIEW

- NOTES:**
- ALL DIMENSIONS FOR REFERENCE ONLY.  
DISTANCE IN. [MM], FORCE LBS. [kN], TORQUE IN. LBS. [N.m], & WEIGHT LBS. [KG].
  - MATERIAL: SEE TABLE
  - CONDUCTOR RANGE: #14 AWG (DIA 0.0641 [1.628]) MIN - 6 AWG (DIA 0.162 [4.115]) MAX

-	20-09-2023	RHR	SP	SP		HUBBELL POWER SYSTEMS, Inc.
EC #	DATE	CHANGED BY	CHECKED BY	APPROVED BY		
EC DESCRIPTION:					WEIGHT (lbmass)	TITLE GROUND BLOCK
ADDITIONAL COMMENTS:					0.500	
CONFIDENTIAL: THIS DRAWING AND ITS CONTENTS ARE CONFIDENTIAL AND THE EXCLUSIVE PROPERTY OF HUBBELL POWER SYSTEMS. NO PUBLICATION, DISTRIBUTION OR COPIES MAY BE MADE WITHOUT THE WRITTEN CONSENT OF HUBBELL POWER SYSTEMS. HUBBELL POWER SYSTEMS UNPUBLISHED ALL RIGHTS RESERVED UNDER THE COPYRIGHT LAWS						CATALOG NUMBER: EM-4250-8BCMP
SIZE	DWG NO.	PART / ASSY NO.		REV	SCALE: NTS    DRN BY: RHR    DATE: 20-09-2023    SHEET 1 OF 1	
B	EM-4250-8BCMP-CC	EM-4250-8BCMP		A		