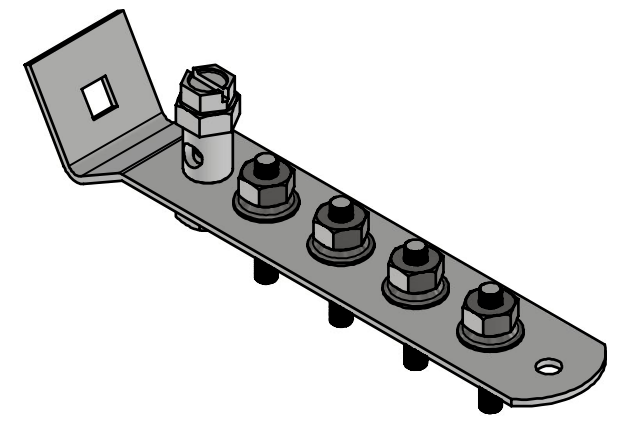
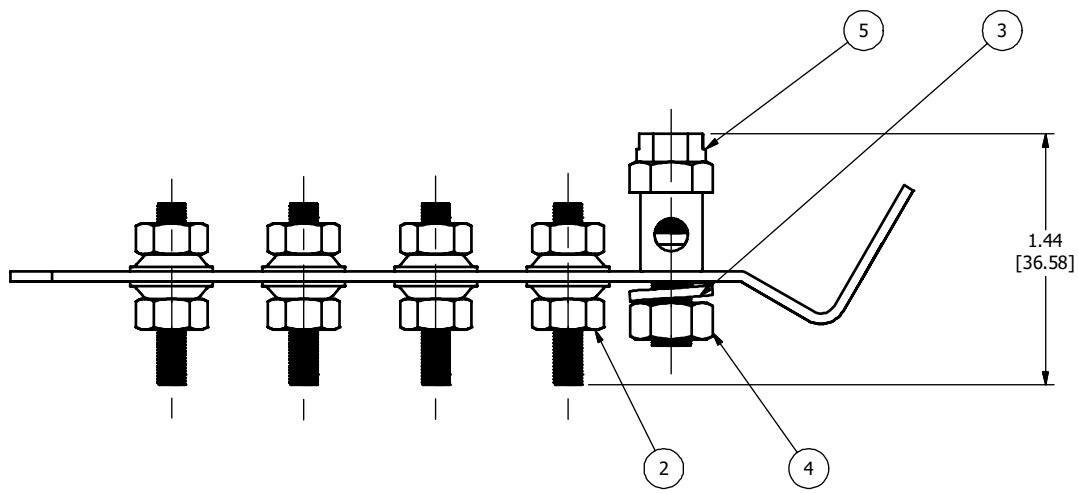


ITEM	DESCRIPTION	MATERIAL
1	GROUND BRACKET	COPPER
2	10-32 CONICAL KEPS NUT	STAINLESS STEEL
3	1/4" LOCK WASHER	SILICON BRONZE
4	1/4-20" HEX NUT	SILICON BRONZE
5	1/4-20" BOLT SUB-ASSEMBLY	SILICON BRONZE



3D VIEW

NOTES:
 1. ALL DIMENSIONS FOR REFERENCE ONLY.
 DISTANCE IN. [MM], FORCE LBS. [kN], TORQUE IN. LBS. [N.m], & WEIGHT LBS. [KG].
 2. MATERIAL: REFER TABLE

-	10/9/2023	RGP	SP	SP		HUBBELL POWER SYSTEMS, Inc.
EC #	DATE	CHANGED BY	CHECKED BY	APPROVED BY		
EC DESCRIPTION:					WEIGHT (lbmass)	CONFIDENTIAL: THIS DRAWING AND ITS CONTENTS ARE CONFIDENTIAL AND THE EXCLUSIVE PROPERTY OF HUBBELL POWER SYSTEMS. NO PUBLICATION, DISTRIBUTION OR COPIES MAY BE MADE WITHOUT THE WRITTEN CONSENT OF HUBBELL POWER SYSTEMS. HUBBELL POWER SYSTEMS UNPUBLISHED ALL RIGHTS RESERVED UNDER THE COPYRIGHT LAWS
					.263	
ADDITIONAL COMMENTS:					TITLE PEDESTAL GROUND BRACKET ASSEMBLY	
					CATALOG NUMBER: EM-6359-CHC	
SIZE	DWG NO.	PART / ASSY NO.		REV		
B	EM-6359-CHC-CC	EM-6359-CHC		A		
SCALE: NTS	DRN BY: RGP	DATE: 10/9/2023	SHEET 1 OF 1			