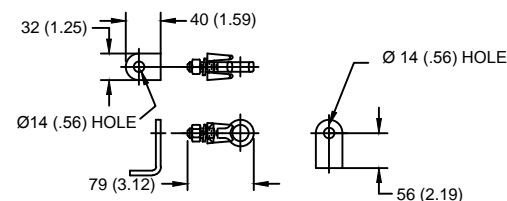
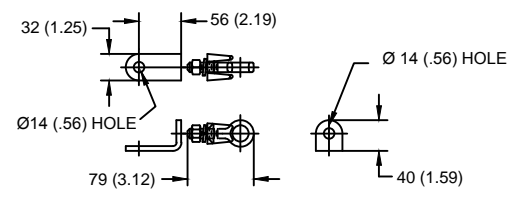


LINE TERMINAL DETAIL

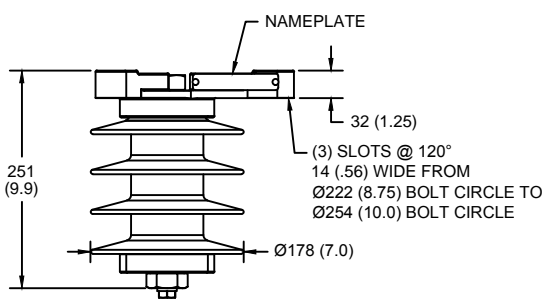


HDG TERMINAL BRACKET, PART No. 89606-4001
 ONE HDG TERMINAL, PART No. 271414-3001
 SUITABLE FOR COPPER OR ALUMINUM CONDUCTOR SIZE
 Ø 7 (.25) - Ø 21 (.81)
 25 - 240 sq mm
 AWG#4 - 500 MCM

GROUND TERMINAL DETAIL



HDG TERMINAL BRACKET, PART No. 89606-4001
 ONE HDG TERMINAL, PART No. 271414-3001
 SUITABLE FOR COPPER OR ALUMINUM CONDUCTOR SIZE
 Ø 7 (.25) - Ø 21 (.81)
 25 - 240 sq mm
 AWG#4 - 500 MCM



Ø = DIAMETER
 HDG = HOT DIP GALVANIZED

CHARACTERISTICS	
RATED VOLTAGE (Ur)	3 kVrms
MCOV (Uc)	2.55 kVrms
MASS	5.7 kg (12.6 lb)
COG ABOVE BASE	127 (5)
CREEPAGE DISTANCE	498 (19.6)
STRIKE DISTANCE	175 (6.9)
LIGHTNING IMP W/S	101 kVpk
SWITCHING IMP WET W/S	84 kVpk
POWER FREQ WET W/S	50 kVrms
TOV 1s NO PRIOR DUTY	3.62 kVrms
TOV 10s NO PRIOR DUTY	3.47 kVrms
TOV 1s W/PRIOR DUTY	3.46 kVrms
TOV 10s W/PRIOR DUTY	3.26 kVrms

CANTILEVER FORCE	
MAXIMUM CONTINUOUS	3383 N (761 lbf)
ULTIMATE (max pk)	6766 N (1521 lbf)

RECOMMENDED CLEARANCE (METAL - METAL)	
PHASE TO GROUND	25.4 (1)
PHASE TO PHASE	50.8 (2)

- NOTES:
 1. DIMENSIONS IN millimeters(inches) SUBJECT TO ±3% TOLERANCE
 2. CLEARANCE AND INSULATION W/S VOLTAGE APPLY AT SEA LEVEL
 3. ARRESTER SUITABLE FOR OPERATION AT ALTITUDES UP TO 4380 m (14370 ft)
 4. PACKAGED IN A CORRUGATED BOX.

.5µSEC 10kA IR kV	SWITCHING SURGE IR kV		MAXIMUM 8/20 DISCHARGE VOLTAGE - kV AT					
	500 A	1 KA	1.5 kA	3.0 kA	5 kA	10 kA	20 kA	40 kA
10.5	6.01	6.26	6.41	6.74	7.06	7.58	8.19	9.34

IEEE C62.11
 STATION-CLASS
 SURGE ARRESTER
 Program Revision
 2015.07.30.08.09.10

CONFIDENTIAL: THIS DRAWING AND ITS CONTENTS ARE CONFIDENTIAL AND THE EXCLUSIVE PROPERTY OF HUBBELL POWER SYSTEMS. NO PUBLICATION, DISTRIBUTION OR COPIES MAY BE MADE WITHOUT THE WRITTEN CONSENT OF HUBBELL POWER SYSTEMS. HUBBELL POWER SYSTEMS UNPUBLISHED ALL RIGHTS RESERVED UNDER THE COPYRIGHT LAWS.

TITLE
**EVP ARRESTER
 2.55 KV MCOV**

SIZE S	DWG NO. 1910630	CAT / PART / ASSY NO. EVP2003003002	REV 1
DO NOT SCALE THIS DRAWING	DRN BY NON	DATE 05/03/11	SHEET 1 OF 1

